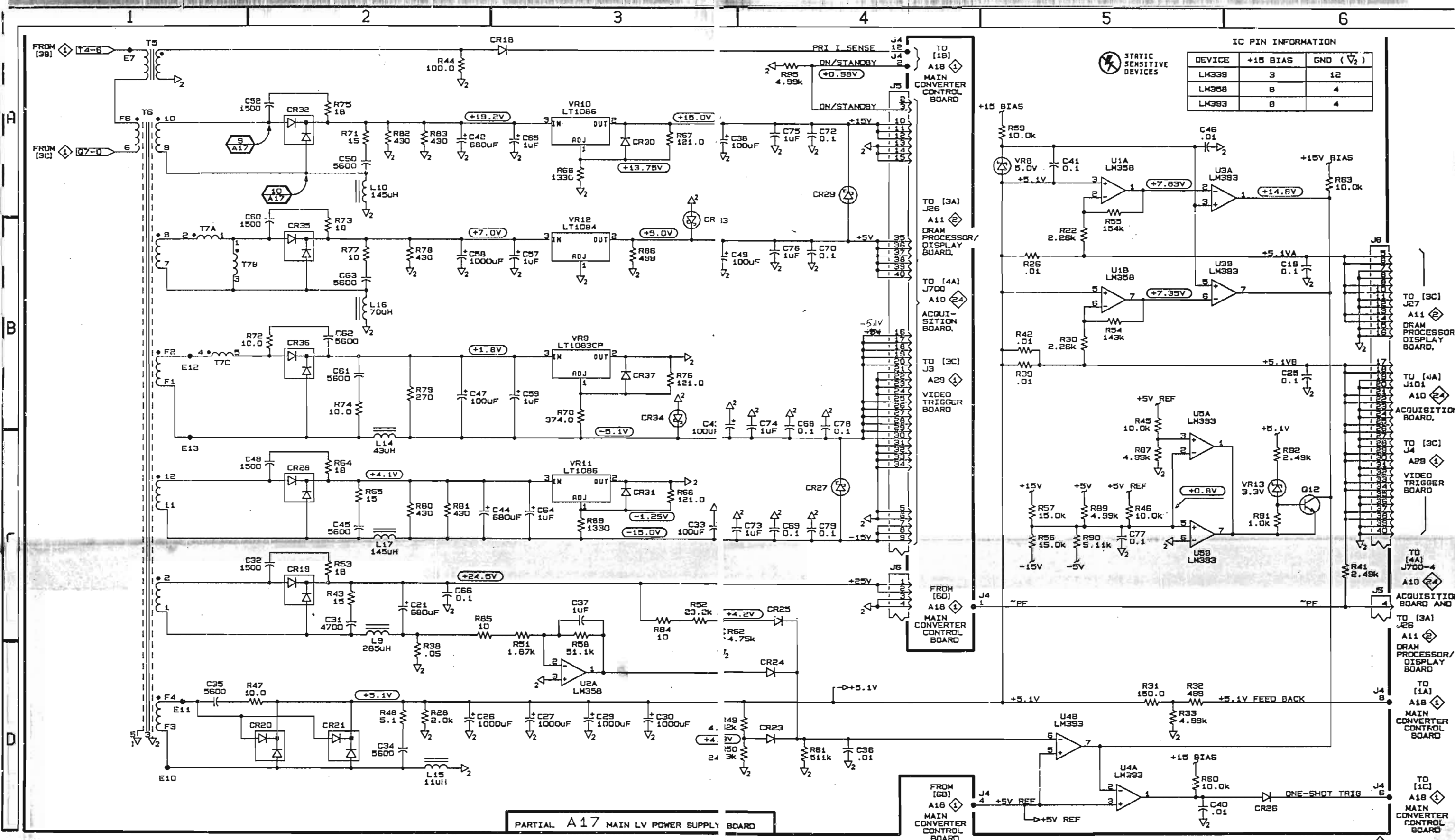


MAIN LV POWER SUPPLY BOARD

A18 MAIN CONVERTER CONTROL BOARD

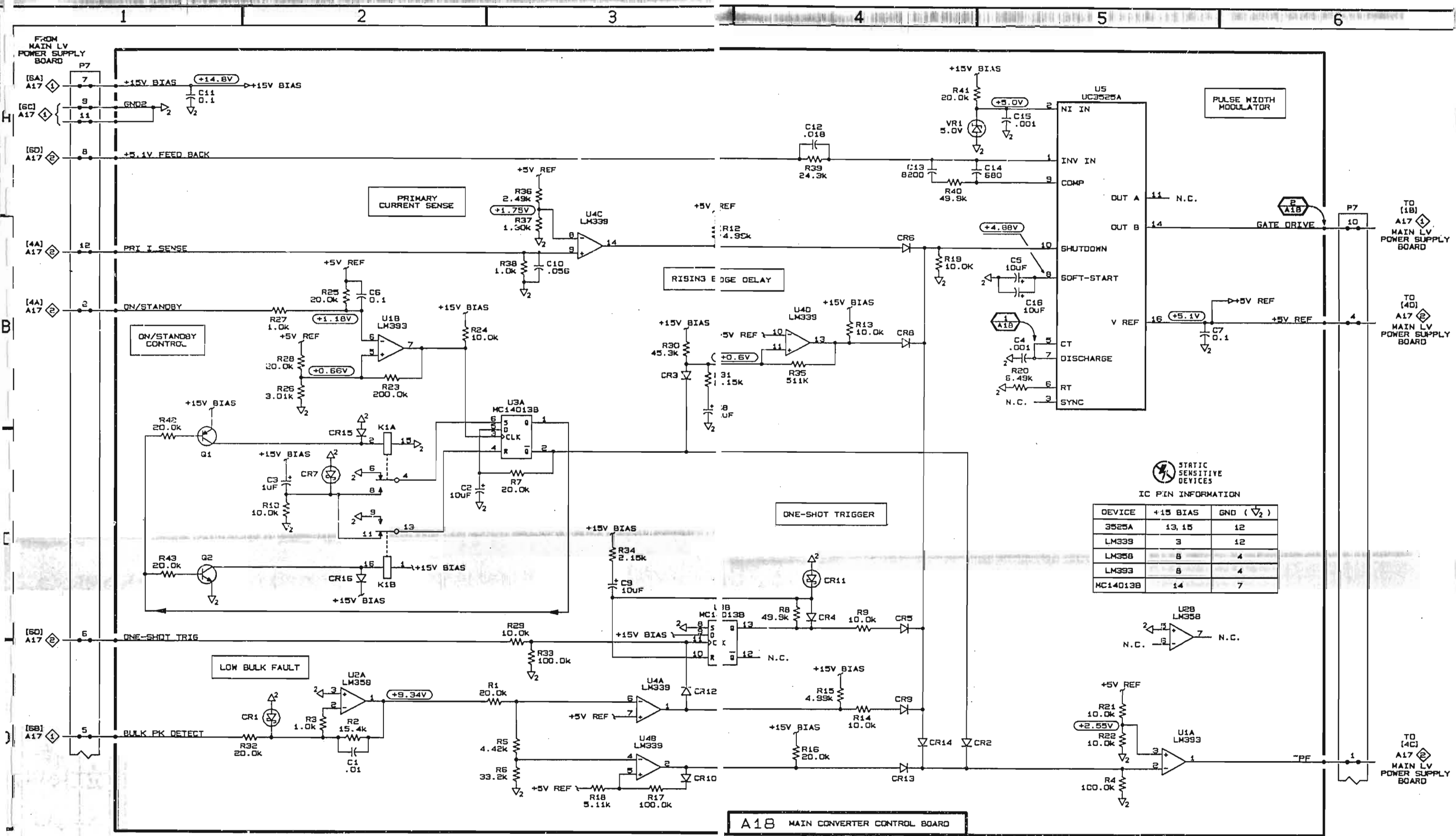




IC PIN INFORMATION

DEVICE	+15 BIAS	GND (V ₂)
LM339	3	12
LM338	8	4
LM393	8	4

STATIC SENSITIVE DEVICES



STATIC SENSITIVE DEVICES

IC PIN INFORMATION

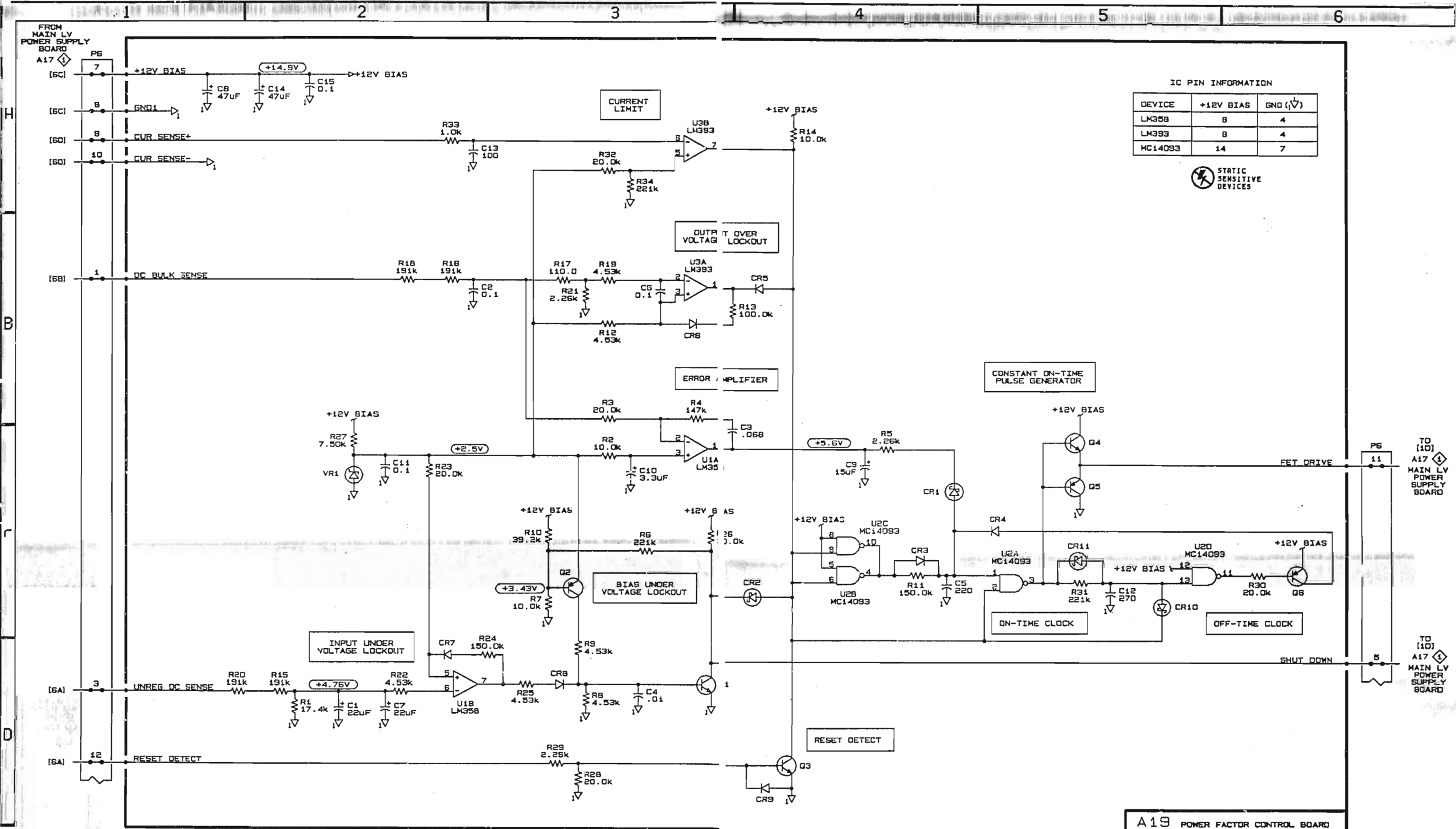
DEVICE	+15V BIAS	GND (V ₂)
3525A	13, 15	12
LM339	3	12
LM358	8	4
LM393	8	4
MC14013B	14	7

TDS 544A

A18 MAIN CONVERTER CONTROL BOARD

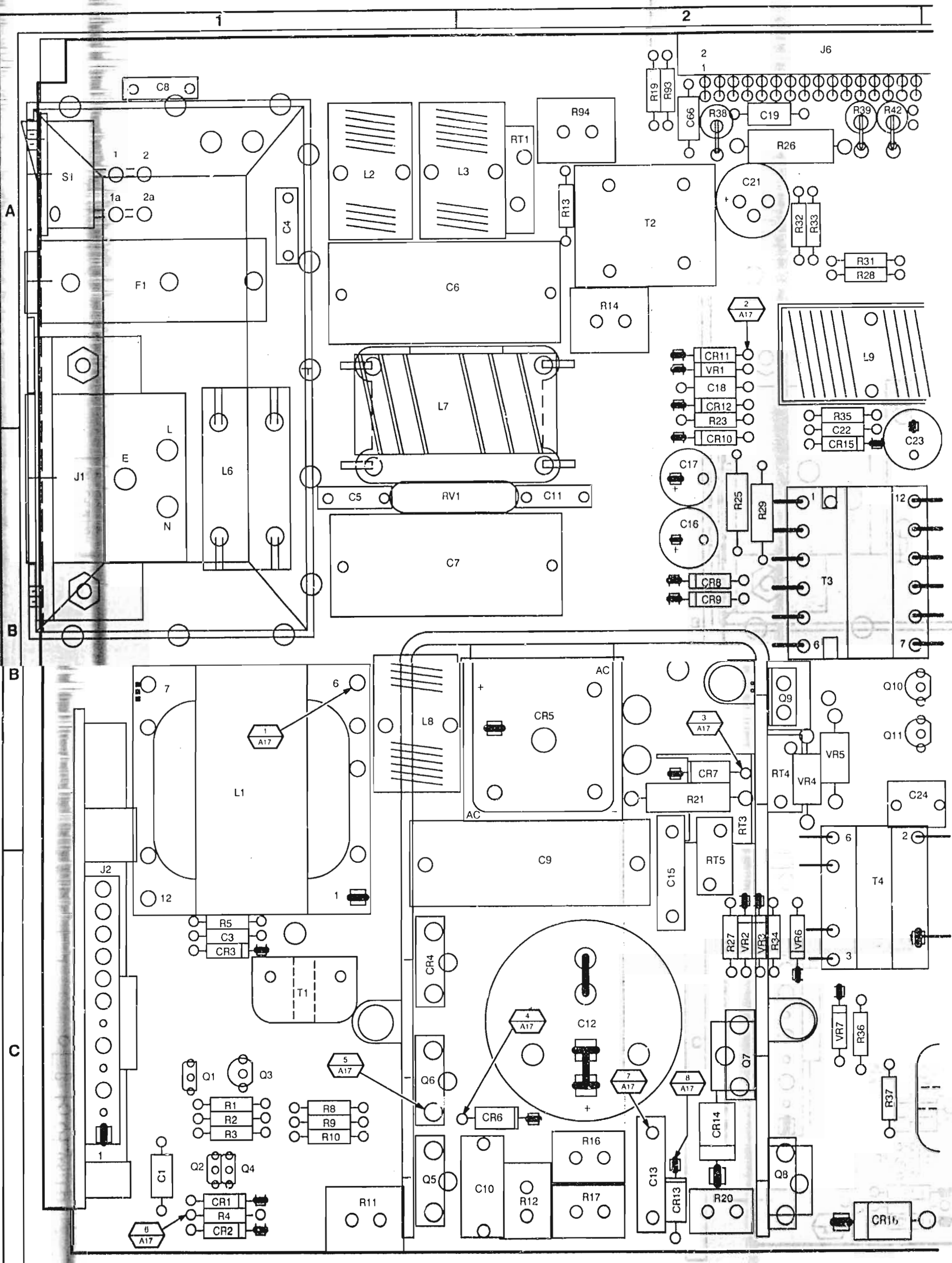
119-4415-01

MAIN CONVERTER CONTROL A18 1



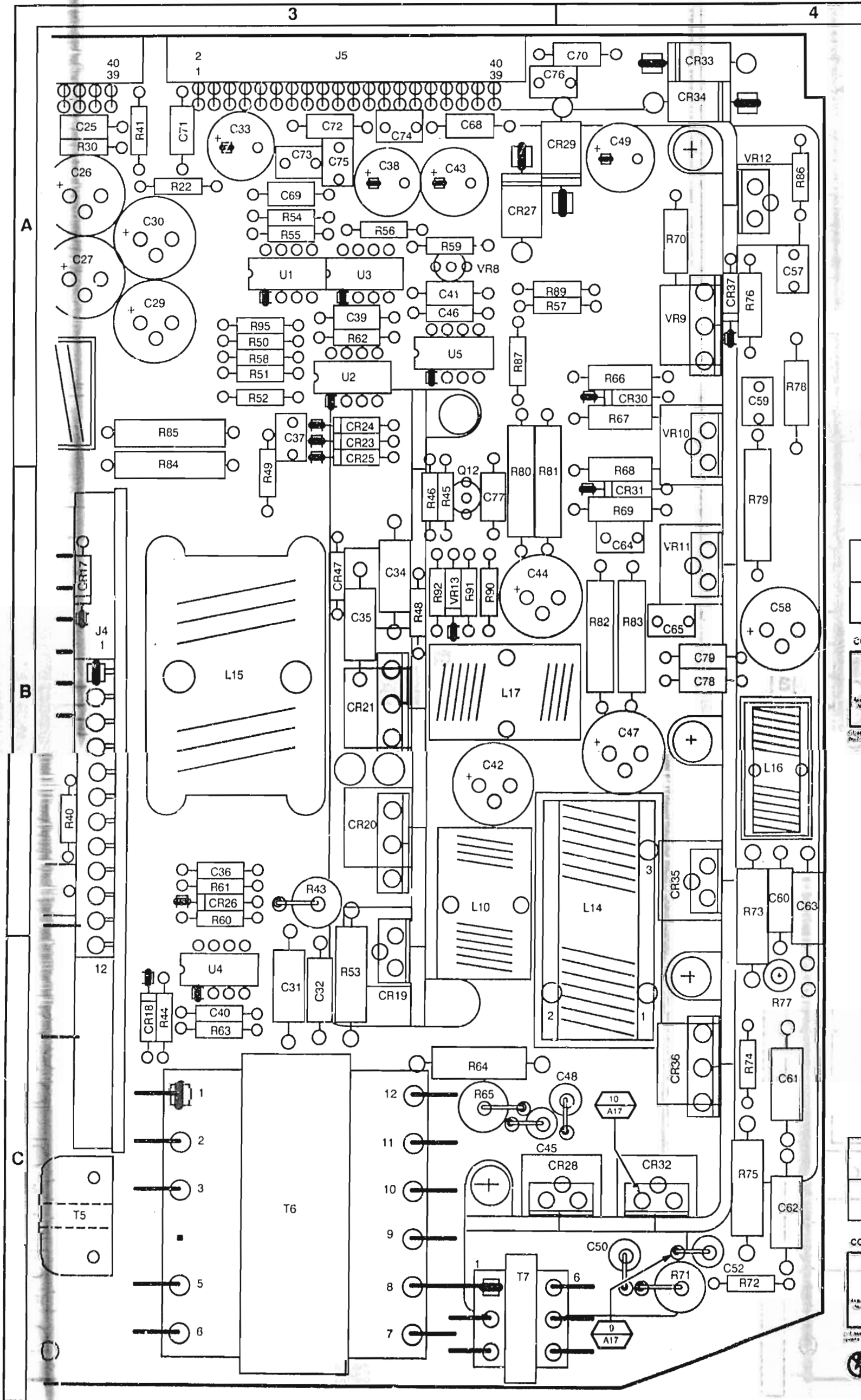
TDS 544A

POWER FACTOR CONTROL A19



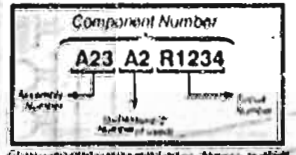
(A)
(C)
COMPONE
A2
STA
SEN
DEV

(A)
(C)
COMPONE
A2
STA
SEN
DEV



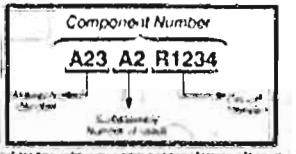
(A)	(B)
(C)	(D)

COMPONENT NUMBER EXAMPLE

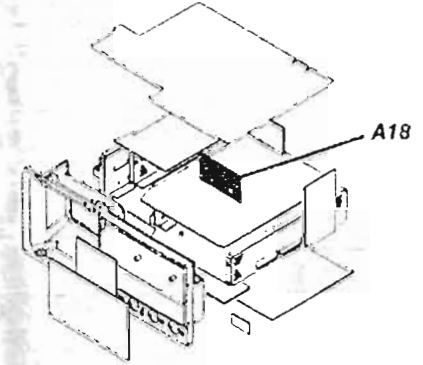
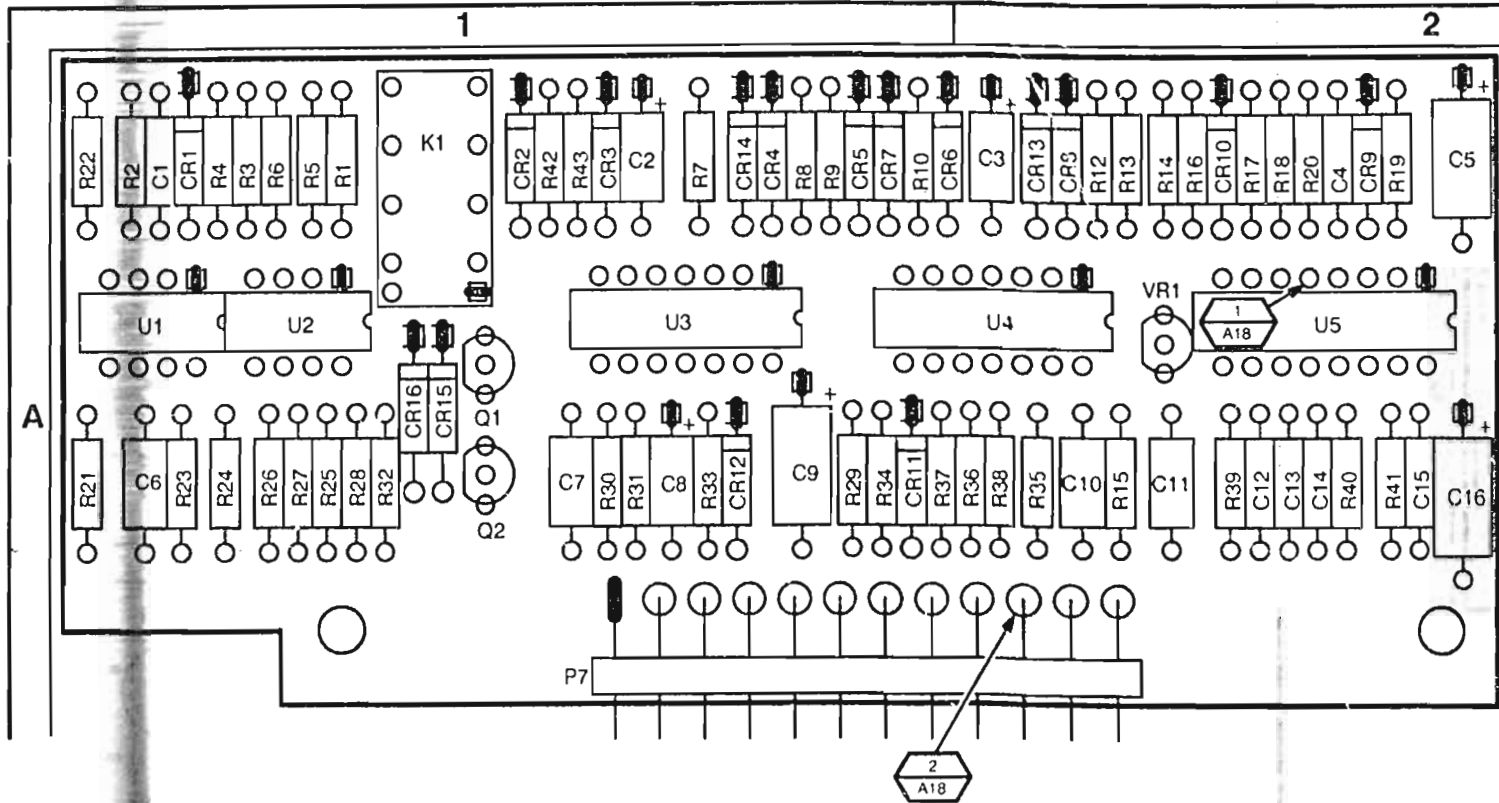


(A)	(B)
(C)	(D)

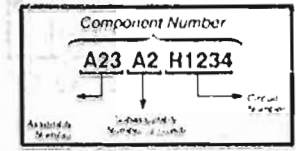
COMPONENT NUMBER EXAMPLE



STATIC SENSITIVE DEVICES

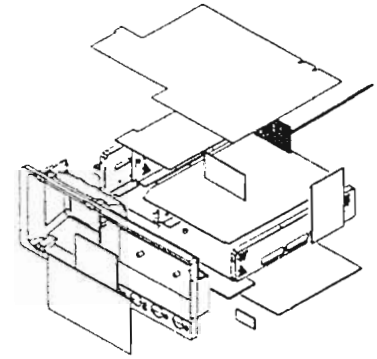
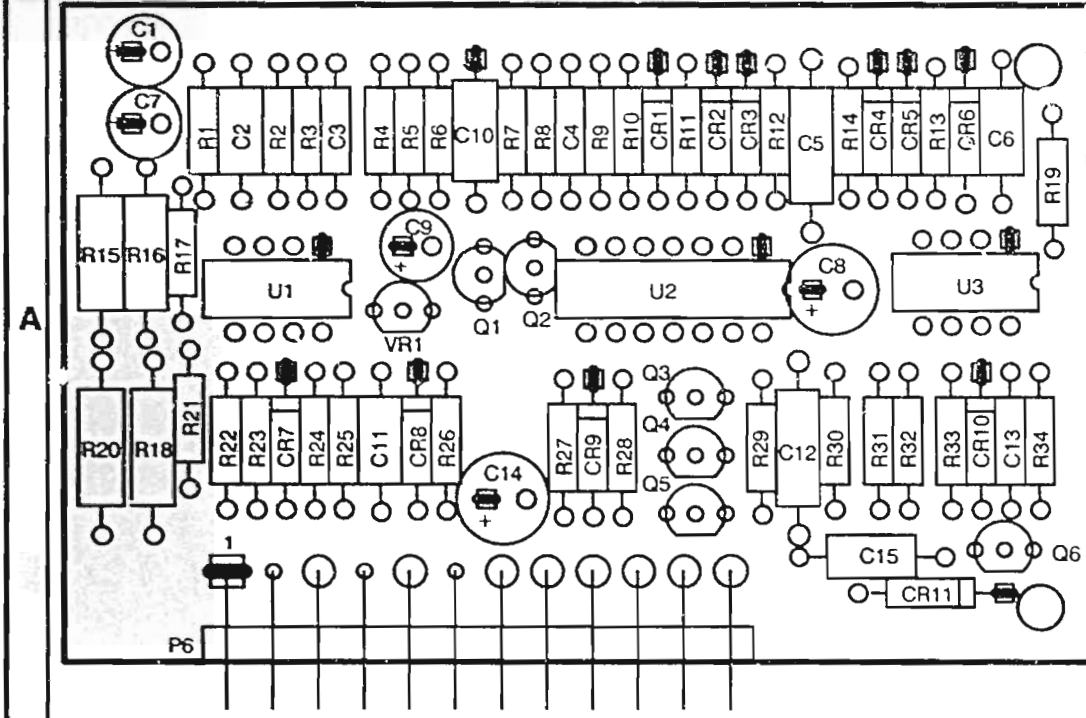


COMPONENT NUMBER EXAMPLE

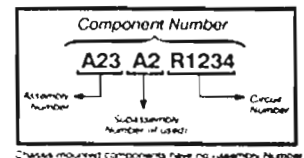


Use this number for assembly and parts list.





COMPONENT NUMBER EXAMPLE



Chassis mounted components have no assembly number prefix - see end of Reproducible Electrical Parts List

STATIC SENSITIVE DEVICES

Vol. 2 Figure 9-146: A19 Power Factor Control Board