

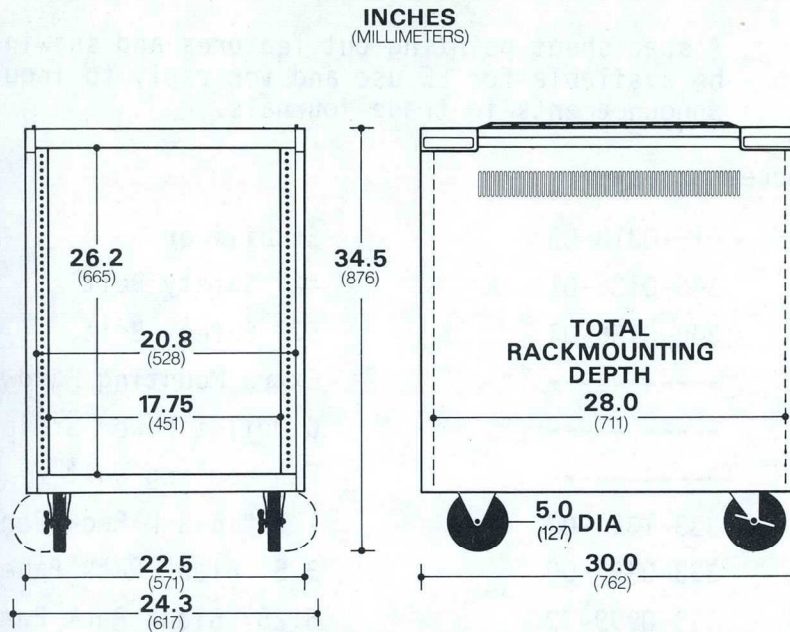
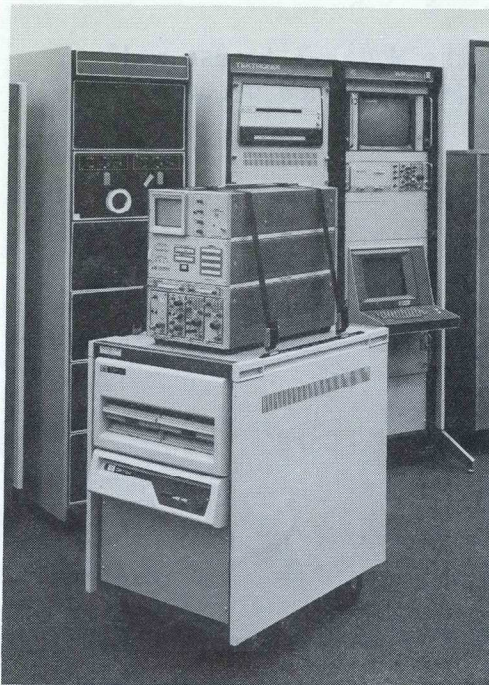
MARKETING SALES RELEASE



FILE

DATE February 22, 1977

Model 7 Rack Cart



Model 7

The Model 7 Rack Cart is for small systems consisting of rack mounted equipment and is designed for shipment with up to 300 lbs. of instruments mounted in place. This feature combined with its UL listing makes it an attractive product for OEM applications.

Accessories include the 015-0318-00 Stabilizer which is required to meet UL requirements when slide mounted equipment is installed in the Model 7, safety belts for securing oscilloscopes or other instruments to the top surface of the cart and several blank rack panels of various sizes.

Let us know about any potential OEM applications that you encounter. We can arrange the loan of a Model 7 or make a customer visit if the potential sales quantity is sufficient.

U.S. Price	\$450 (\$382.50 with 15% OEM Discount)
Product Announcement	1977 Tek Catalog (April)
Available	Wk 10
Demos	None are expected
Initial PAL	2 weeks

Advertising Support--

A spec sheet pointing out features and showing the Model 7 in use will be available for FE use and for reply to inquiries from new product announcements in trade journals.

Accessories--

015-0318-00	Stabilizer	\$85.00
346-0136-01	42" Safety Belt	15.00
346-0156-01	57" Safety Belt	15.00
-----	Extra Mounting Hardware Kit	*
-----	6 Outlet Power Strip w/15 ft. Cord	*
-----	Fan Cooling Unit	*
333-1351-00	1.75" Blank Rack Panel	3.00
333-0997-00	3.5" Blank Rack Panel	6.00
333-0999-00	5.25" Blank Rack Panel	8.50
333-1352-00	7.0" Blank Rack Panel	10.50
333-0998-00	8.75" Blank Rack Panel	11.50
333-0996-00	10.5" Blank Rack Panel	11.50

* Part numbers and prices to be announced at a later date.

2007599

BOB PADGETT
CLEVELAND

Pete Keller
Accessories Marketing
Del. Sta. 58-129
Extension 7769