

**PLOT 10® TekniCAD CADDPORT couples the high performance, highly efficient PLOT 10 TekniCAD Computer-Aided Drafting System to industry-leading Computer-Aided Design systems.**

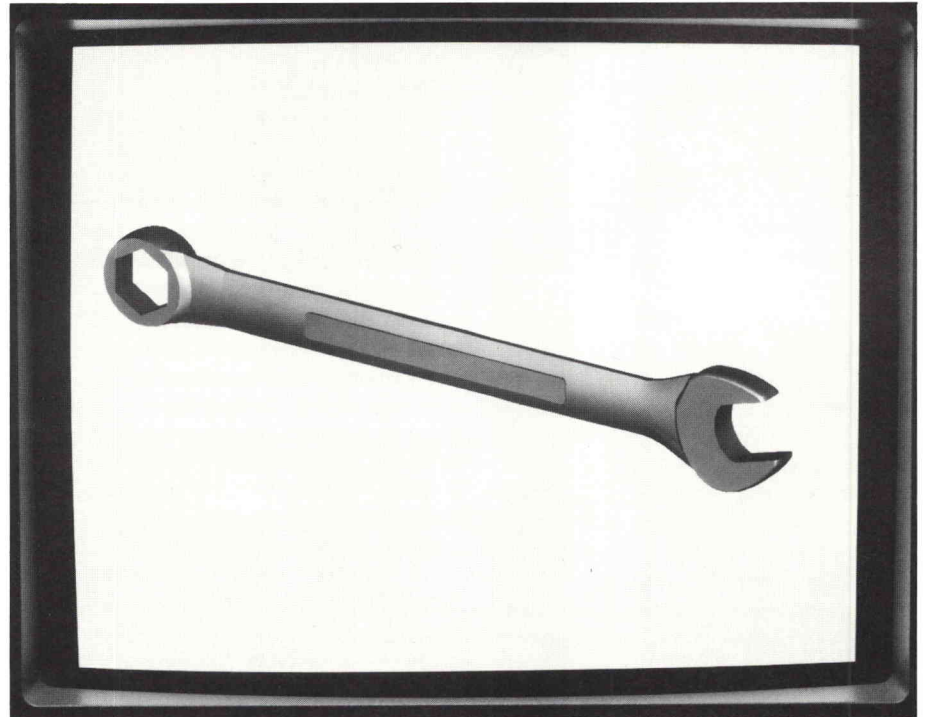
# PLOT 10 TEKNICAD CADDPORT

- **Couples Computer-Aided Design and Drafting**
- **Direct system interfaces**
- **I.G.E.S. interface**
- **Cost-effective, efficient, and complete solution for Mechanical Computer-Aided Engineering**
- **Flexible system configurations**

Tektronix 4100P49 PLOT 10 TekniCAD CADDPORT is a component module of the PLOT 10 TekniCAD Computer-Aided Drafting family of application products. The CADDPORT provides a design translation facility between Computer-Aided Design systems and PLOT 10 TekniCAD.

**Mechanical Computer-Aided Engineering.** Mechanical Computer-Aided Engineering (MCAE) is a term indicating the many functions involved in the conceptualization, design, verification, and production of a mechanical product. PLOT 10 TekniCAD is one critical component of the MCAE solution. CADDPORT is the link which couples PLOT 10 TekniCAD to the remaining MCAE components.

The central MCAE component is the Computer-Aided Design system. The design system provides the engineer a set of tools which are used to interactively model and analyze a computerized "prototype" of a product. Once completed, the design is then documented in order to be carried through production.



Images represent the transfer of a PATRAN® solid model to PLOT 10 TekniCAD. (Front) Tektronix display image of a PATRAN solid model. (Back) PLOT 10 TekniCAD design documentation. Image courtesy PDA Engineering.

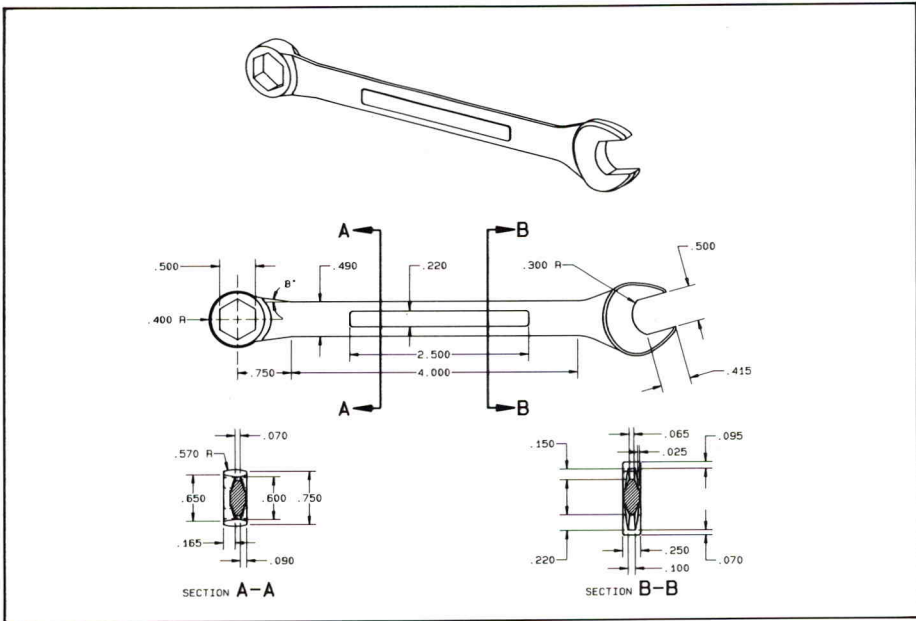
PLOT 10 TekniCAD is dedicated to the task of documenting a design. External design information is carried to PLOT 10 TekniCAD via the TekniCAD CADDPORT. Various views which accurately describe the product design are produced by the design system. The CADDPORT processes these product design views so that they can be interpreted by PLOT 10 TekniCAD.

PLOT 10 TekniCAD is a high performance, highly efficient tool for dimensioning and annotating designs. PLOT 10 TekniCAD's performance advantage is the extensive use of intelligent functions provided in the wide range of Tektronix graphic devices. Use of local intelligence is also carried to the generation of hard

copy, yielding high quality, quickly produced output.

**A Complete Solution.** PLOT 10 TekniCAD's ability to interpret external design information via the CADDPORT provides a complete, integrated solution. Manual methods of drafting or re-entry of design information into a non-integrated drafting system are avoided.

**Tektronix®**  
COMMITTED TO EXCELLENCE



For further information, contact:

U.S.A., Asia, Australia, Central & South America, Japan  
 Tektronix, Inc.  
 P.O. Box 1700  
 Beaverton, Oregon 97075  
 For additional literature, or the address and phone number of the Tektronix Sales Office nearest you, contact:  
 Phone: (800) 547-1512  
 Oregon only: (800) 452-1877  
 TWX: (910) 467-8708  
 TLX: 151754  
 Cable: TEKWSGT

Europe, Africa, Middle East  
 Tektronix Europe B.V.  
 European Headquarters  
 Postbox 827  
 1180 AV Amstelveen  
 The Netherlands  
 Phone: (20) 471146  
 Telex: 18312 - 18328

Canada  
 Tektronix Canada Inc.  
 P.O. Box 6500  
 Barrie, Ontario L4M 4V3  
 Phone: (705) 737-2700

Tektronix sales and service offices around the world:  
 Albania, Algeria, Argentina, Australia, Austria, Bangladesh, Belgium, Bolivia, Brazil, Bulgaria, Canada, Peoples Republic of China, Chile, Colombia, Costa Rica, Czechoslovakia, Denmark, East Africa, Ecuador, Egypt, Federal Republic of Germany, Fiji, AWA New Zealand, Finland, France, Greece, Hong Kong, Hungary, Iceland, India, Indonesia, Ireland, Israel, Italy, Japan, Jordan, Korea, Kuwait, Lebanon, Malaysia, Mexico, The Netherlands, New Zealand, Nigeria, Norway, Pakistan, Panama, Peru, Philippines, Poland, Portugal, Qatar, Republic of South Africa, Romania, Saudi Arabia, Singapore, Spain, Sri Lanka, Sudan, Sweden, Switzerland, Syria, Taiwan, Thailand, Turkey, Tunisia, United Arab Emirates, United Kingdom, Uruguay, USSR, Venezuela, Yugoslavia, Zambia, Zimbabwe.

Some of the products, options or services mentioned in this brochure may not be available outside the USA. Contact your local Tektronix representative for details.

**A Cost-Effective Solution.** Coupling PLOT 10 TekniCAD with systems which currently provide both design and drafting functionality can produce a more cost-effective Computer-Aided Engineering strategy. Computer-Aided Design systems can offload the drafting task, leaving their technology to the complex design tasks for which they were intended. The performance and efficiency of PLOT 10 TekniCAD can free system resources for greater design throughput while maintaining a corresponding level of design documentation productivity.

**Flexible Interfacing.** System-specific interfaces within the PLOT 10 TekniCAD CADDPORT assures a complete, accurate, and rapid translation of design information to PLOT 10 TekniCAD. These interfaces translate directly from the design system database to the PLOT 10 TekniCAD database.

Design information produced in Initial Graphics Exchange Specification (I.G.E.S.) format can be processed by the CADDPORT. The I.G.E.S. format files provide the most universally supported means for the translation of graphical design information.

Translation functions provided by the CADDPORT are bi-directional. Graphical information created within PLOT 10 TekniCAD can be processed by the CADDPORT for input to Computer-Aided Design systems.

**Distributed or Centralized Drafting.**

The PLOT 10 TekniCAD CADDPORT supports the use of PLOT 10 TekniCAD in either distributed or centralized configurations. PLOT 10 TekniCAD can reside with the design system on a common host, or be distributed to TekniCAD drafting workstations. The drawing database can, in either case, be centralized to maintain drawing control.

**Ordering Information:**

4100P49 PLOT 10 TekniCAD CADDPORT is available on the Tektronix 6000 Family of Intelligent Graphics Workstations and the Digital Equipment VAX™ Family.

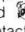
Your local Tektronix Sales Engineer will assist you in selection of options to fit your application requirements and hardware configuration.

Each order is configured on magnetic tape or disk. User level documentation and installation instructions are included.

**Customer Software Services**

A Software Subscription Service is available to keep your PLOT 10 software current.

Tektronix software products described herein are the sole property of Tektronix, Inc. or third parties from whom Tektronix has obtained a marketing right. Software may not be copied or reproduced in any form without the express written permission of Tektronix, Inc. All copies and reproductions shall be the property of Tektronix, Inc. or such third parties and must bear this copyright notice and ownership statement in its entirety.

Copyright © 1985, Tektronix, Inc. All rights reserved. Printed in U.S.A. Tektronix products are covered by U.S. and foreign patents, issued and pending. Information in this publication supersedes that in all previously published material. Specification and price change privileges reserved. TEKTRONIX, TEK, SCOPE-MOBILE, and  are registered trademarks. For further information, contact: Tektronix, Inc., P.O. Box 500, Beaverton, OR 97077. Phone: (503) 627-7111; TWX: (910) 467-8708; TLX: 151754; Cable: TEKWSGT. Subsidiaries and distributors worldwide.



PLOT 10 is a registered trademark of Tektronix, Inc.  
 PATRAN is a registered trademark of PDA Engineering.  
 VAX is a trademark of Digital Equipment.