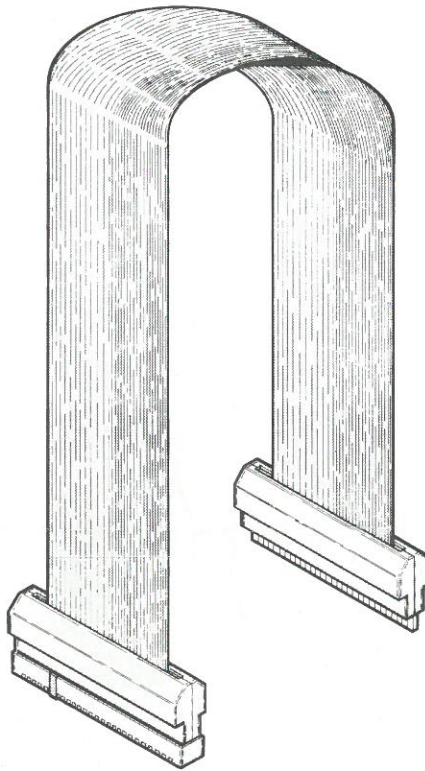


CALIBRATION FIXTURE for TM500 SERIES
Part No. 067-0645-02

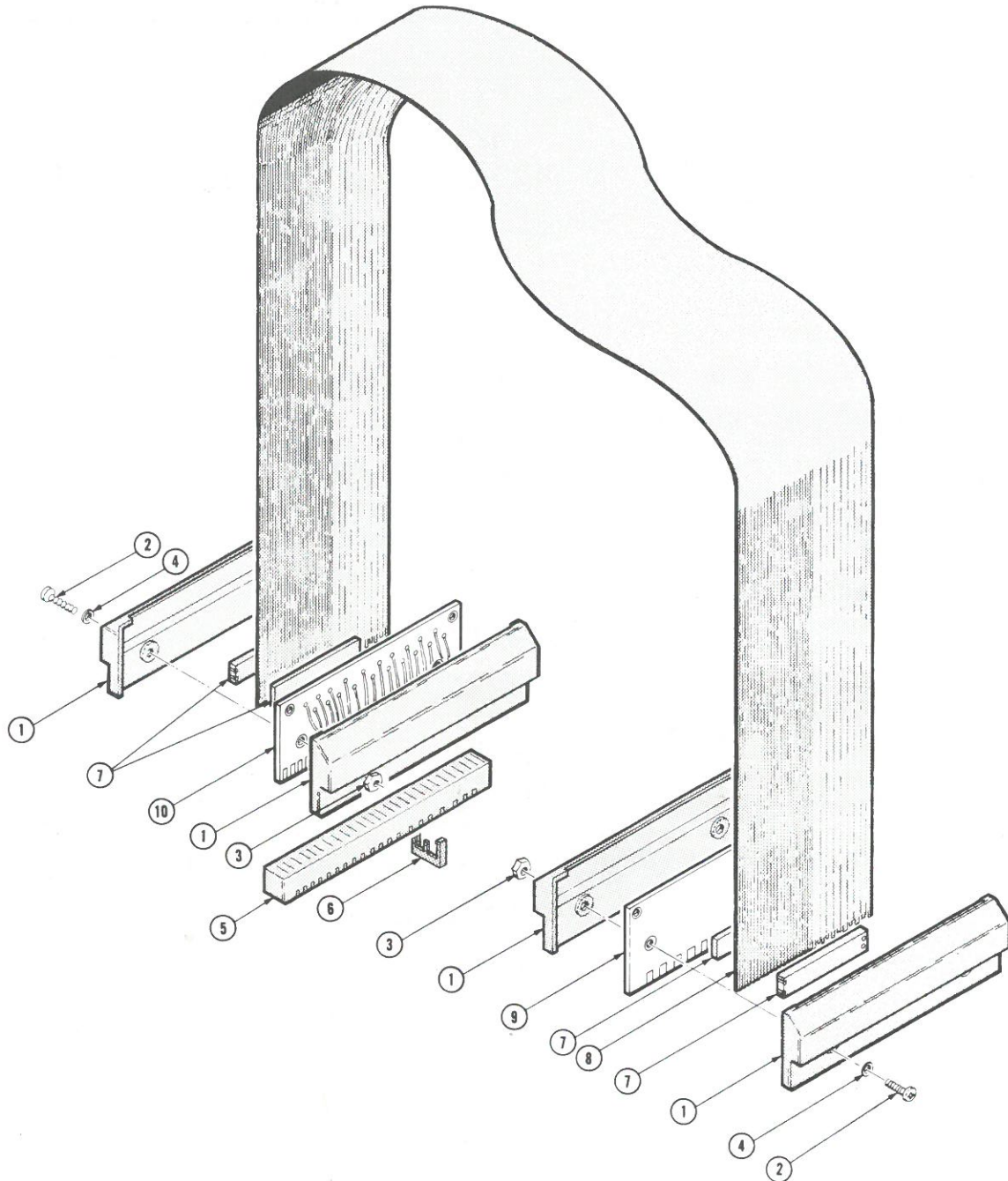


The 067-0645-02 Extender is used for calibrating or troubleshooting TM500 series Plug-in Units operating in a TM500 Mainframe. The extender allows the TM500 series Plug-in unit to be operated out of the Mainframe compartment, thus providing easy access to components and adjustments.

NO. 062-3455-00

DATE JUNE 1977

COPYRIGHT © 1977
TEKTRONIX, INC.
ALL RIGHTS RESERVED



REPLACEABLE PARTS LIST

| Fig. & Index No. | Tektronix Part No. | Serial/Model No. Eff Dscont | Qty | 1 | 2 | 3 | 4 | 5 | Name & Description | Mfr Code | Mfr Part Number |
|------------------|--------------------|-----------------------------|-----|---|---|---|---|---|--|----------|------------------|
| | 067-0645-02 | | 1 | | | | | | FIXTURE,CAL:FLEX PLUG IN EXTENDER | 80009 | 067-0645-02 |
| -1 | 337-1524-04 | | 4 | | | | | | SHIELD,ELEC:CKT CARD EXTENDER (ATTACHING PARTS) | 80009 | 337-1524-04 |
| -2 | 211-0012-00 | | 4 | | | | | | SCREW,MACHINE:4-40 X 0.375 INCH,PNH STL | 83385 | OBD |
| -3 | 210-0586-00 | | 4 | | | | | | NUT,PLAIN,EXT W:4-40 X 0.25 INCH,STL | 78189 | OBD |
| -4 | 210-0801-00 | | 4 | | | | | | WASHER,FLAT:0.14 ID X 0.281 OD NP STL | 12327 | OBD |
| | | | | | | | | | * - - - - | | |
| -5 | 131-1078-00 | | 1 | | | | | | CONNECTOR,RCPT,:28/56 CONTACT | 95238 | 600-1156Y256DF30 |
| -6 | 214-1593-02 | | 1 | | | | | | KEY,CONN PLZN: | 80009 | 214-1593-02 |
| -7 | 131-0817-00 | | 2 | | | | | | CONNECTOR,RCPT,:FOR 28 COND FLAT CABLE | 76381 | 3402 |

| Fig. & Index No. | Tektronix Part No. | Serial/Model No. Eff Dscont | Qty | 1 | 2 | 3 | 4 | 5 | Name & Description | Mfr Code | Mfr Part Number |
|------------------------|-----------------------|--------------------------------|-----|---|--|---|---|---|--------------------|-------------|-----------------|
| -8 | 175-1779-00 | | 1 | . | CA ASSY,SP,ELEC:17/20 AWG,34/28 AWG,GRAY | | | | | 08261 | 955-282 |
| -9 | 388-4445-00 | | 1 | . | CIRCUIT BOARD:CONNECTOR,MALE | | | | | 80009 | 388-4445-00 |
| -10 | 388-4446-00 | | 1 | . | CIRCUIT BOARD:CONNECTOR,FEMALE | | | | | 80009 | 388-4446-00 |
| STANDARD ACCESSORIES | | | | | | | | | | | |
| | 062-3455-00 | | 1 | . | DATA SHEET:067-0645-02 | | | | | 80009 | 062-3455-00 |

CROSS INDEX—MFR. CODE NUMBER TO MANUFACTURER

| Mfr. Code | Manufacturer | Address | City, State, Zip |
|-----------|--|-------------------|------------------------|
| 08261 | SPECTRA-STRIP CORP. | 7100 LAMPSON AVE. | GARDEN GROVE, CA 92642 |
| 12327 | FREEWAY CORPORATION | 9301 ALLEN DRIVE | CLEVELAND, OH 44125 |
| 76381 | MINNESOTA MINING AND MFG. CO. | 3M CENTER | ST. PAUL, MN 55101 |
| 78189 | ILLINOIS TOOL WORKS, INC. SHAKEPROOF DIVISION | ST. CHARLES ROAD | ELGIN, IL 60120 |
| 80009 | TEKTRONIX, INC. | P O BOX 500 | BEAVERTON, OR 97077 |
| 83385 | CENTRAL SCREW CO. | 2530 CRESCENT DR. | BROADVIEW, IL 60153 |
| 95238 | CONTINENTAL CONNECTOR CORP. | 34-63 56TH ST. | WOODSIDE, NY 11377 |