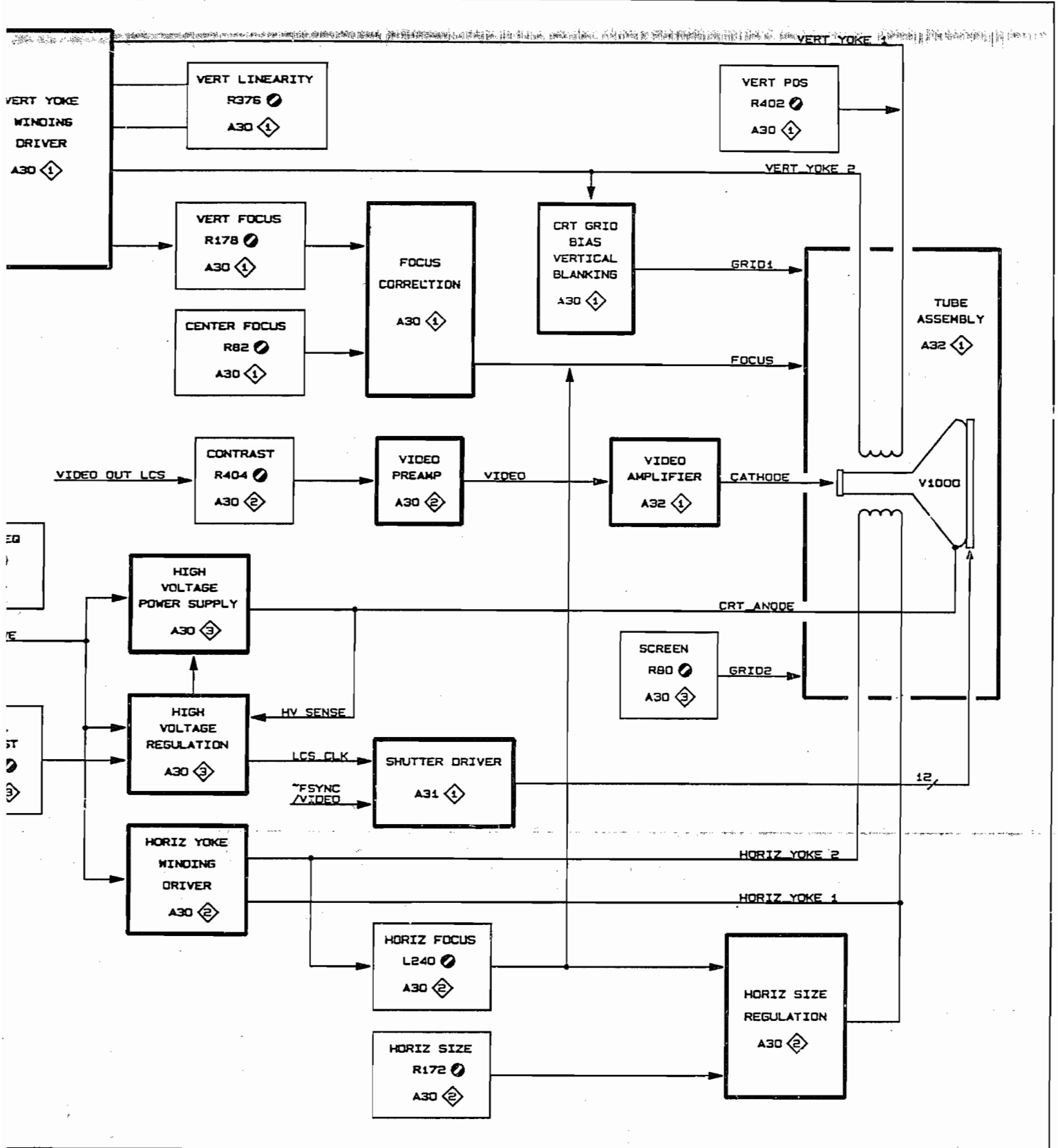
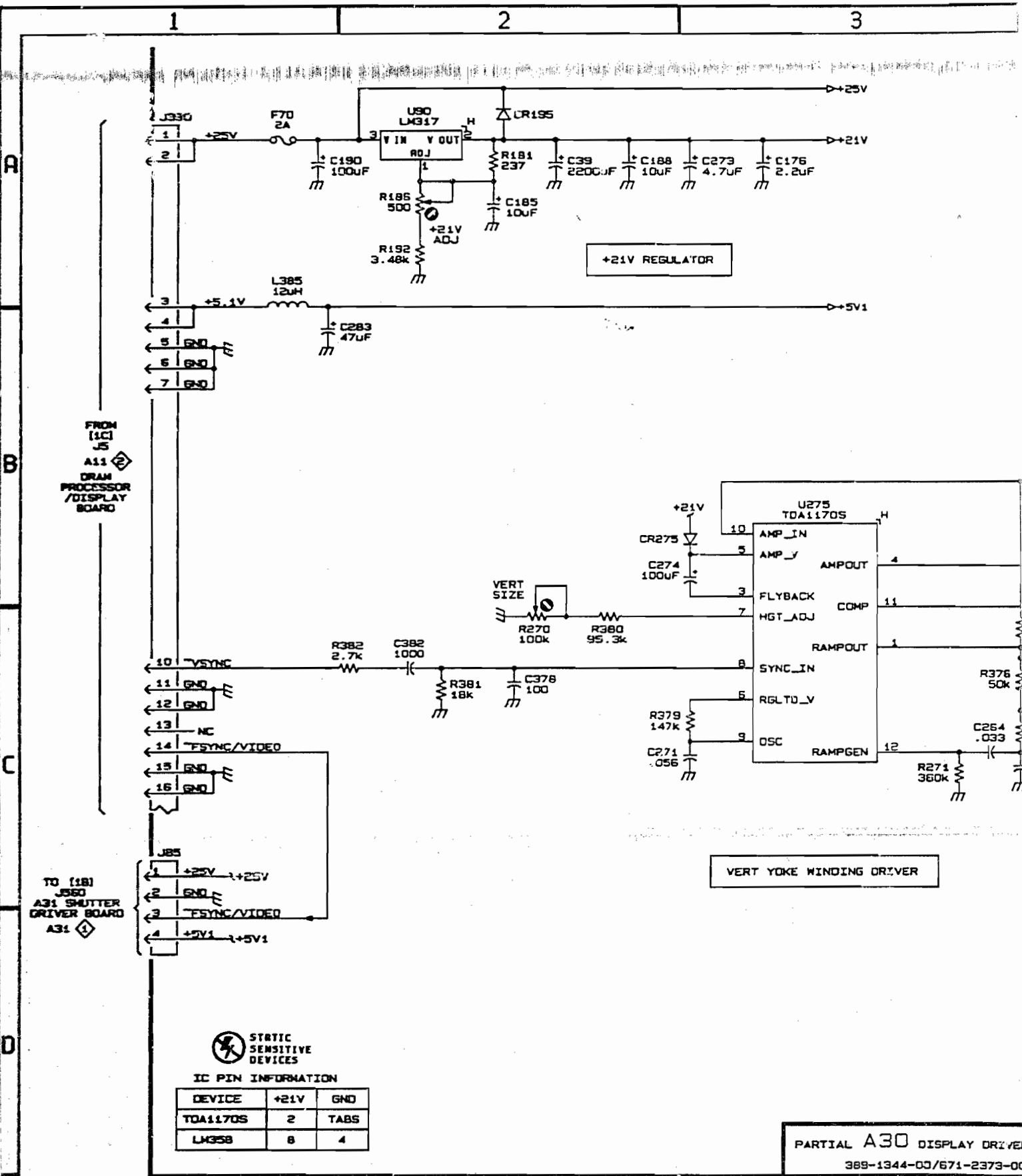


TDS 544A



DISPLAY DRIVER BOARD BLOCK DIAGRAM A30 0



+21V REGULATOR

VERT YOKE WINDING DRIVER



STATIC SENSITIVE DEVICES

IC PIN INFORMATION

DEVICE	+21V	GND
TDA1170S	2	TABS
LM358	8	4

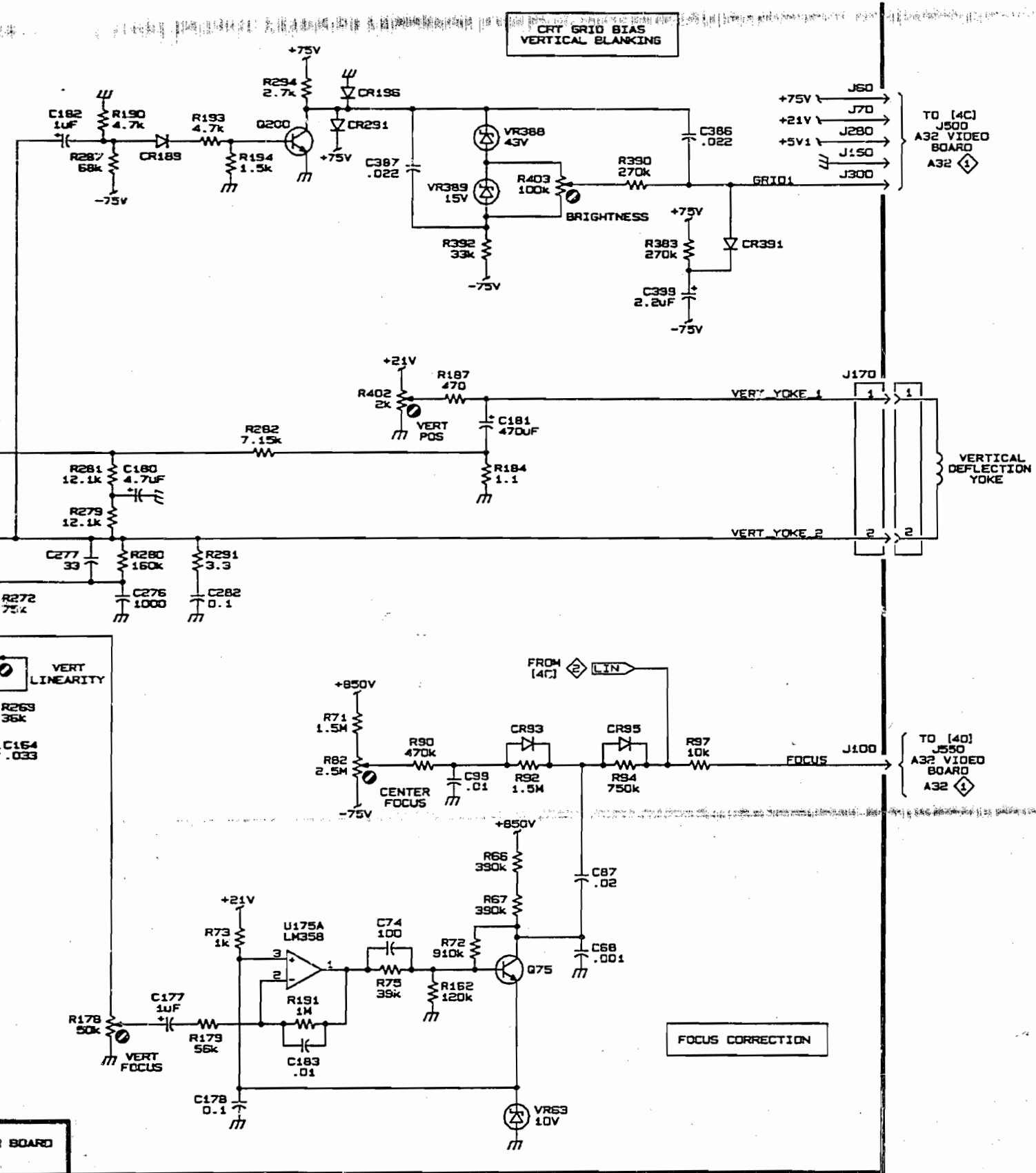
PARTIAL A30 DISPLAY DRIVER  
388-1344-03/671-2373-00

4

5

6

CRT GRID BIAS  
VERTICAL BLANKING

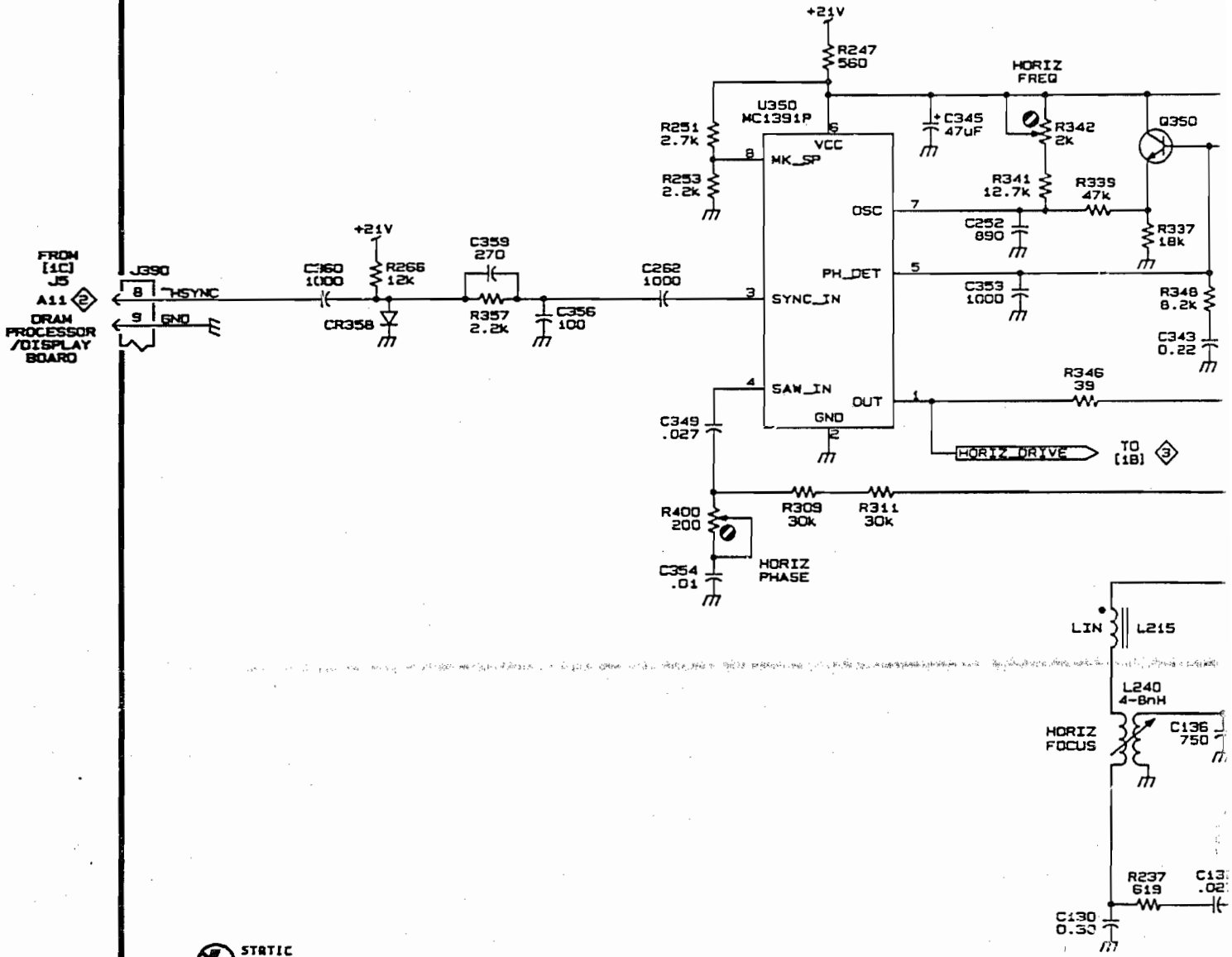


VERT YOKE WINDING DRIVER

A30 1

1 2 3

HORIZONTAL OSCILLATOR CONTROL



FROM [1C] JS  
A11  
DRAM PROCESSOR / DISPLAY BOARD



STATIC SENSITIVE DEVICES

IC PIN INFORMATION		
DEVICE	+21V	GND
LM358	8	4

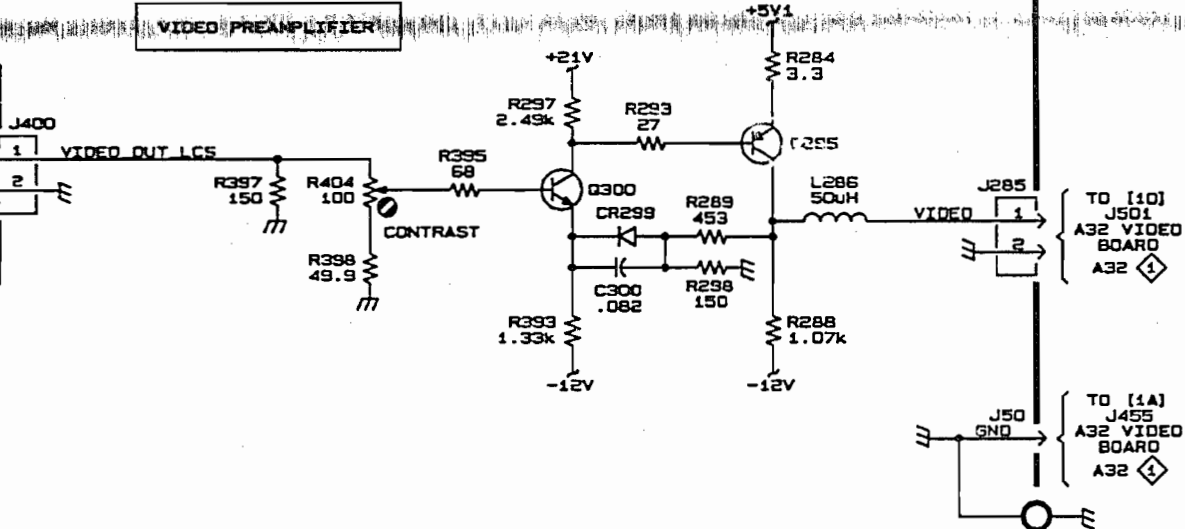
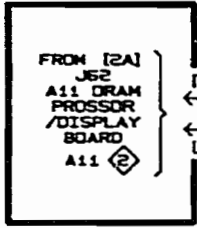
PARTIAL A30 DISPLAY DRIVER BOARD  
389-1344-00/671-2373-00

4

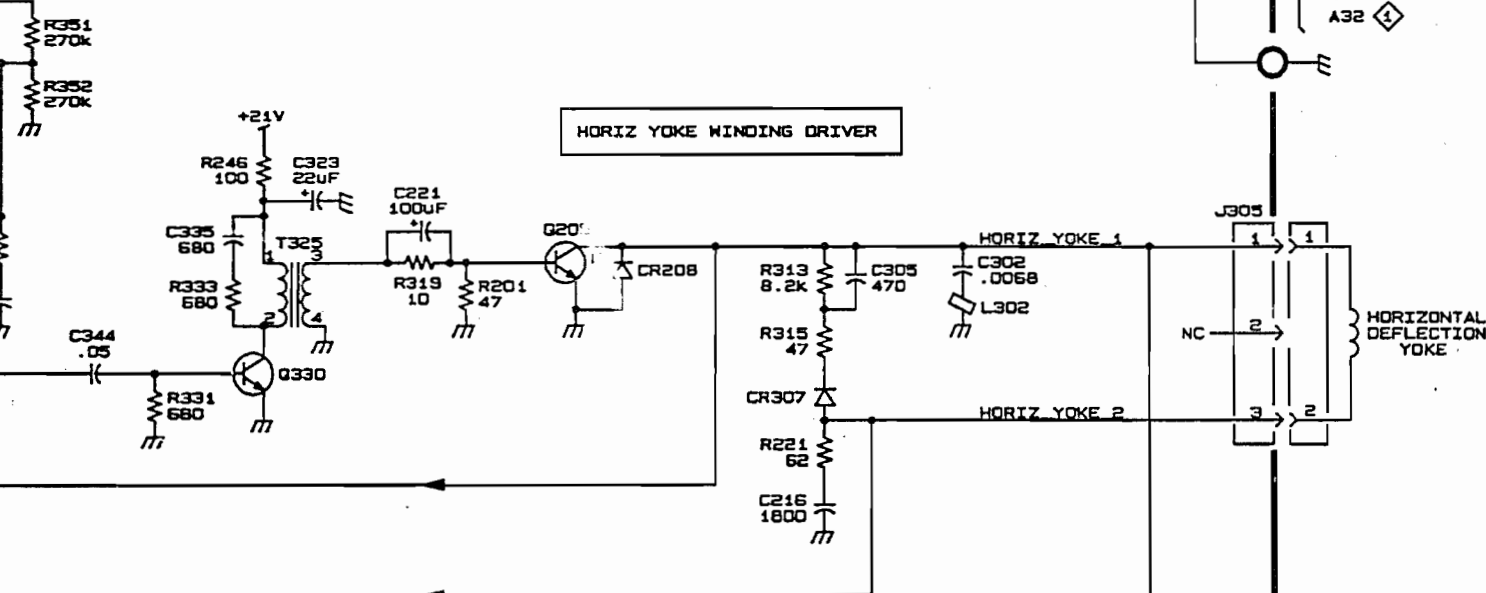
5

6

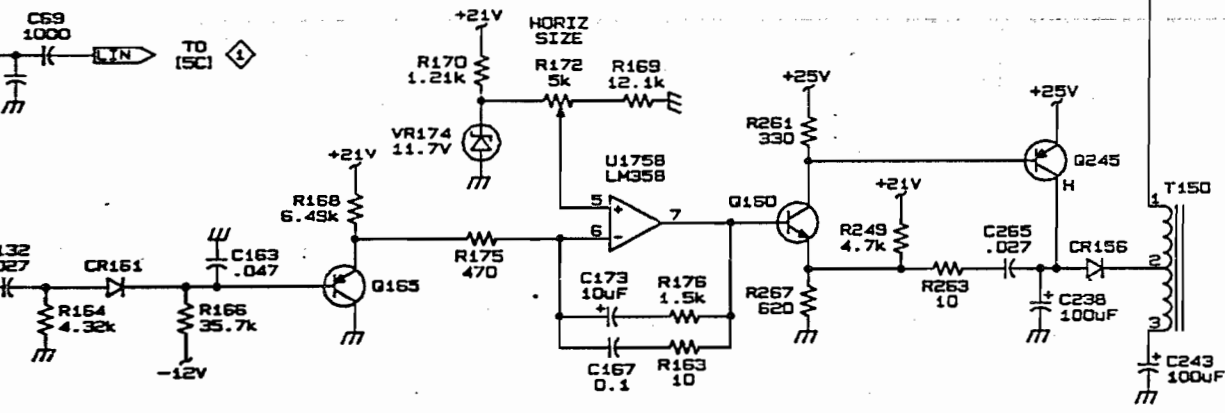
VIDEO PREAMPLIFIER



HORIZ YOKE WINDING DRIVER



HORIZ SIZE REGULATION



BOARD

HORIZ YOKE WINDING DRIVER A30

1

2

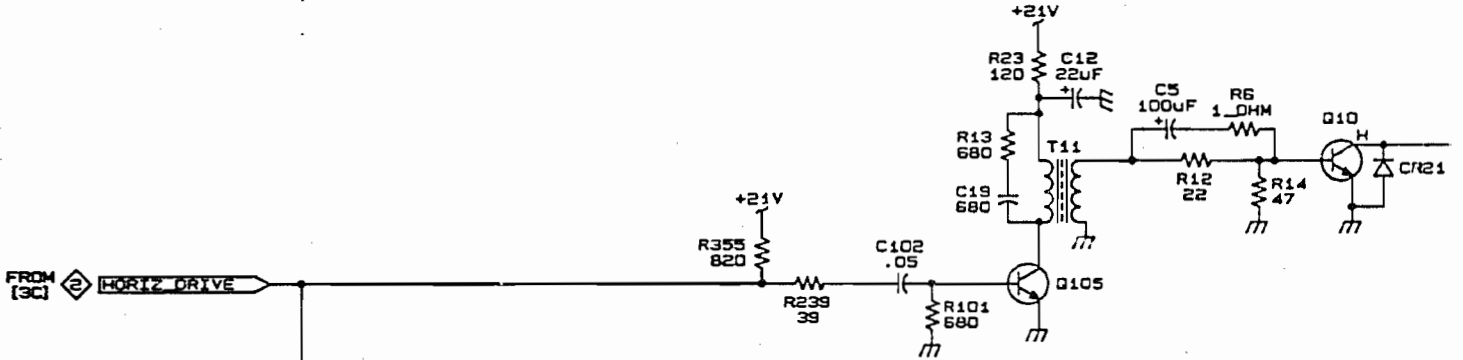
3



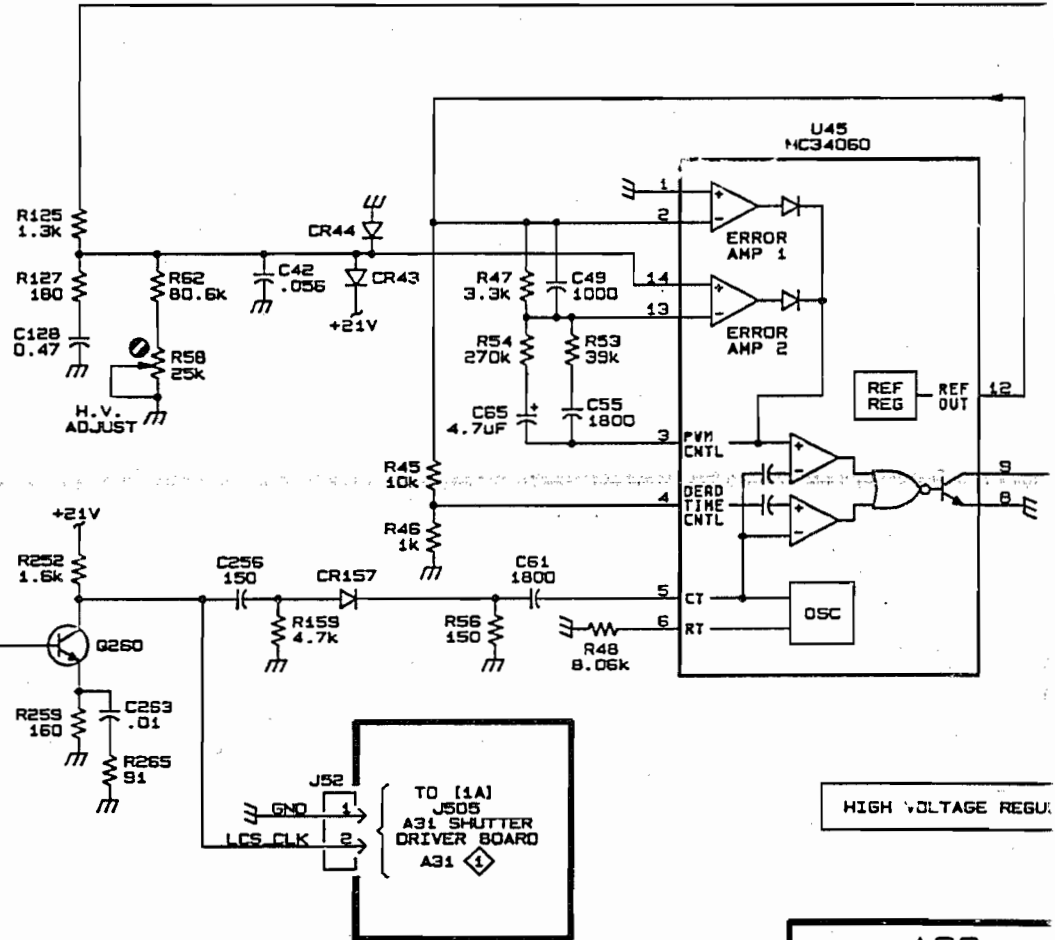
IC PIN INFORMATION

DEVICE	+21V	GND
HC34060	10	7

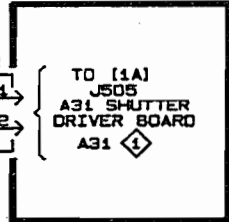
HIGH VOLTAGE POWER SUPPLY



FROM [3C] HORIZ DRIVE



HIGH VOLTAGE REGUL

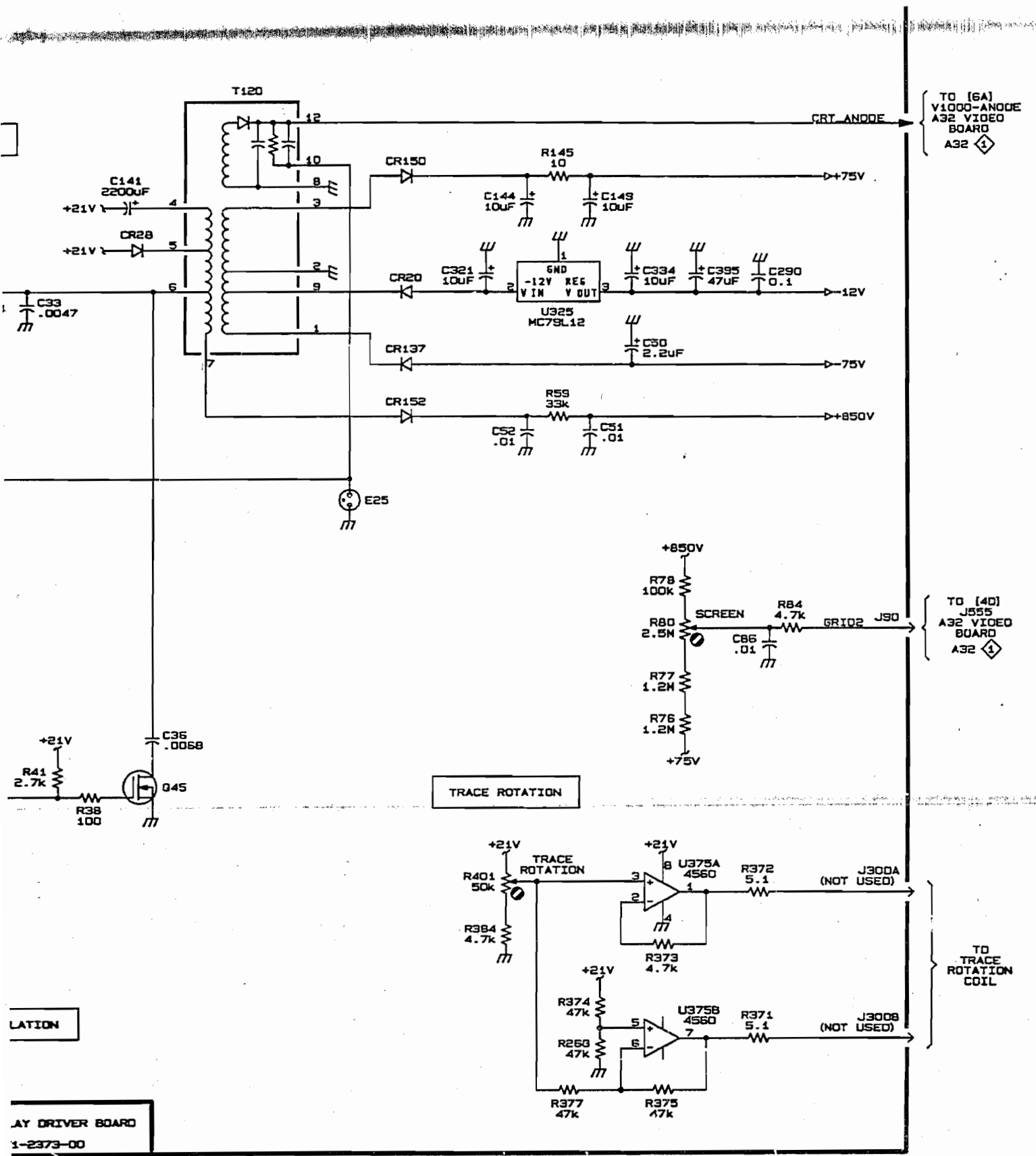


PARTIAL A30 DISPL  
389-1344-00/67

4

5

6



TO [6A]  
V1000-ANODE  
A32 VIDEO  
BOARD  
A32

TO [4D]  
J555  
A32 VIDEO  
BOARD  
A32

TRACE ROTATION

TO  
TRACE  
ROTATION  
COIL

LATION

AY DRIVER BOARD  
1-2373-00

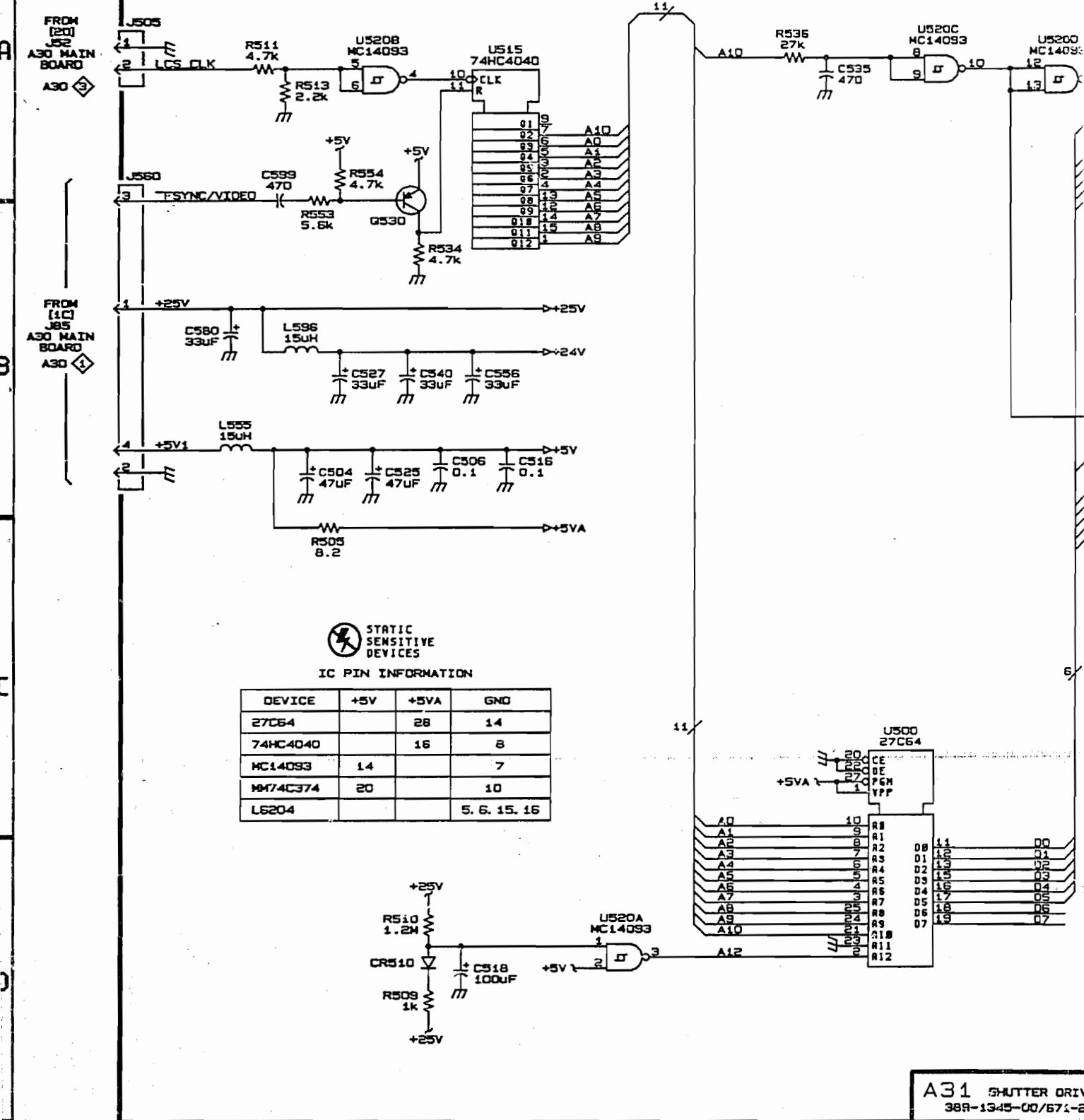
H.V. POWER SUPPLY A30



1

2

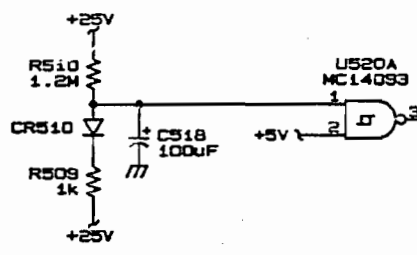
3



STATIC SENSITIVE DEVICES

IC PIN INFORMATION

DEVICE	+5V	+5VA	GND
27C64		28	14
74HC4040		16	8
MC14093	14		7
MM74C374	20		10
L6204			5, 6, 15, 16

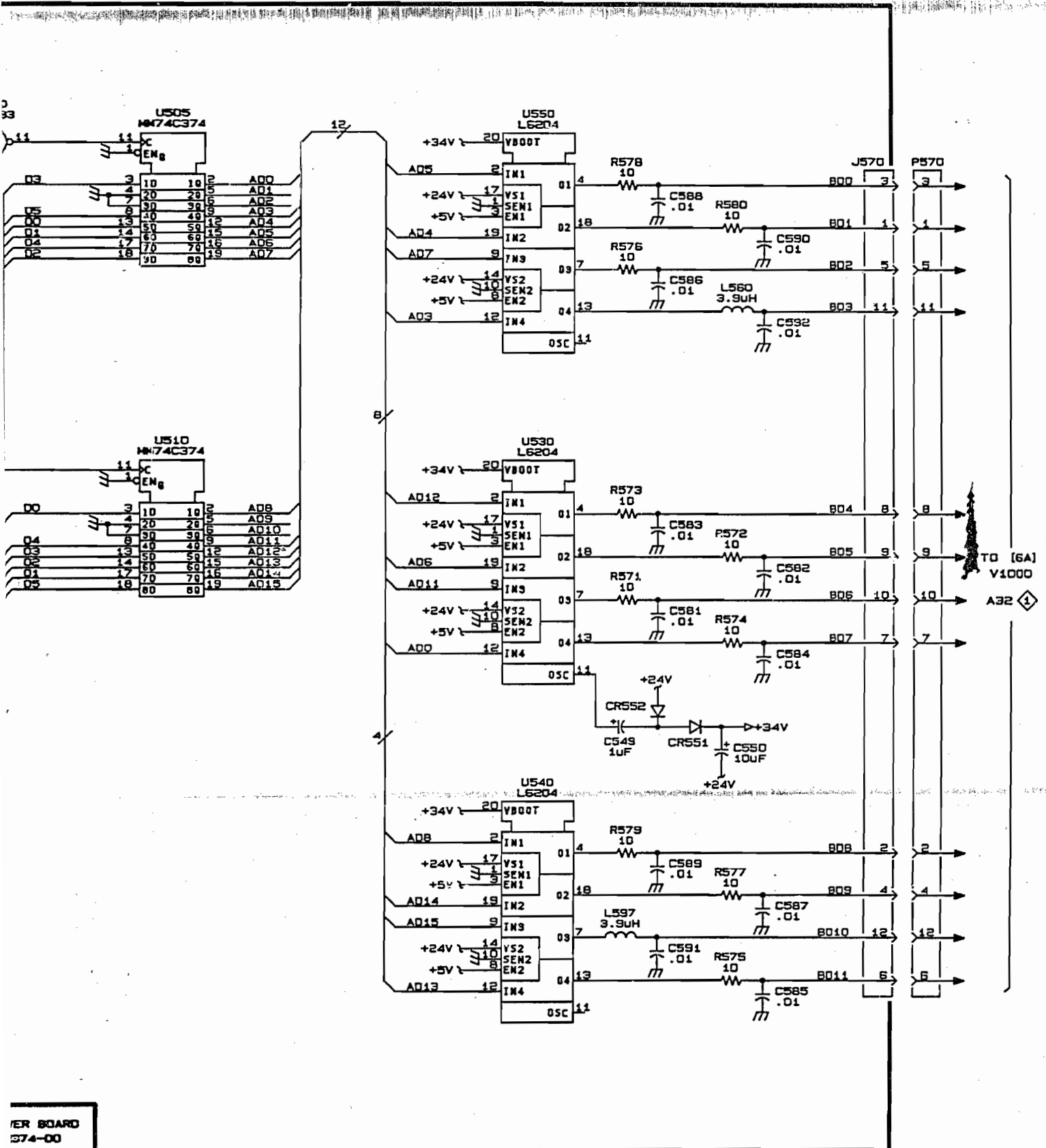


A31 SHUTTER DRIVE  
389-1345-00/671-20

4

5

6



ER BOARD  
74-00

SHUTTER DRIVER

A31 1

1 2 3

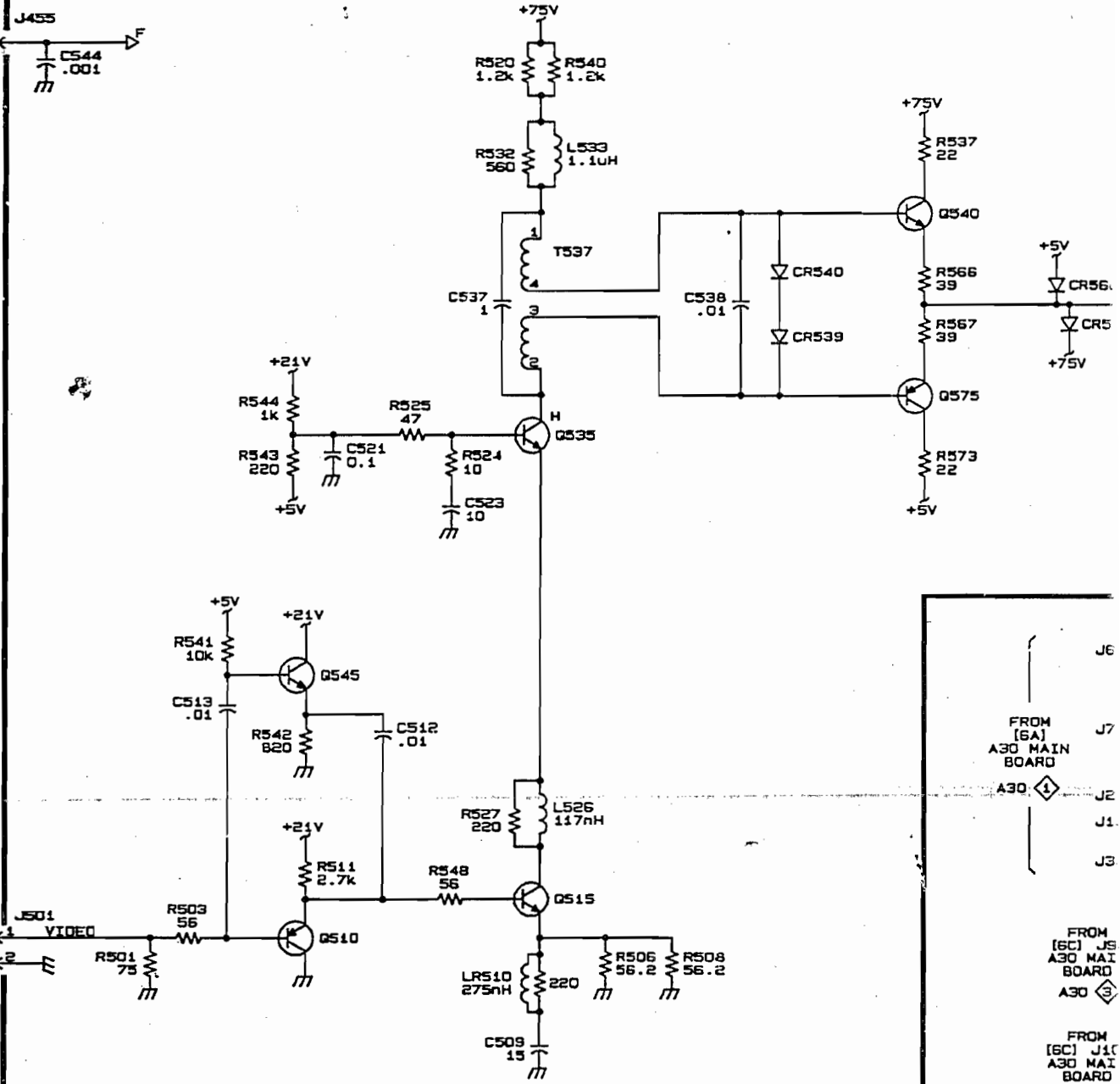
A

B

C

D

FROM [5B] J50 A30 MAIN BOARD A30



A32 VIDEO BOARD  
389-1343-00/671-2372-00

4

5

6

