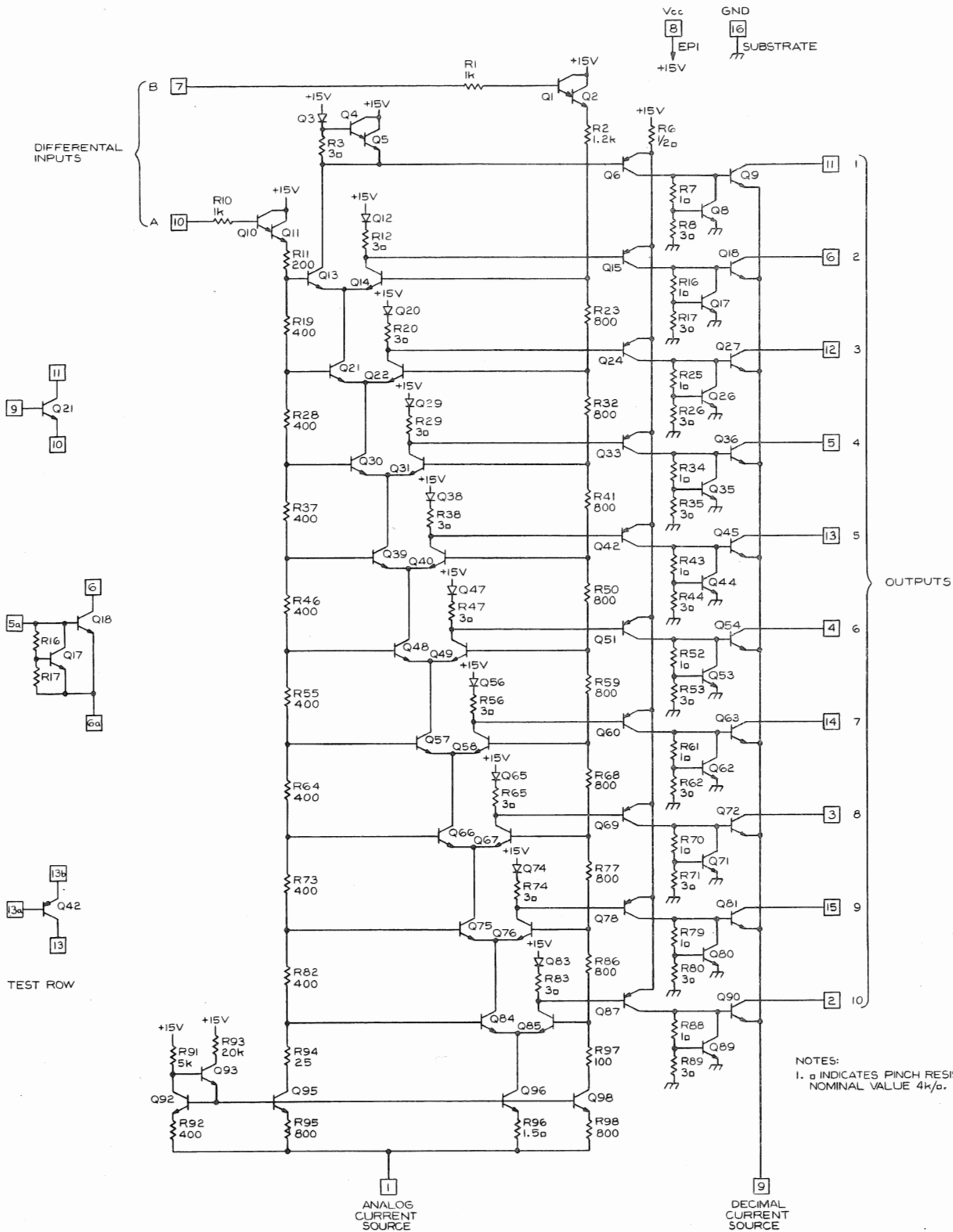


DESCRIPTION

The M019 converts differential analog input voltage to one of ten output indications, with a transition spacing of $500 \text{ mV} \pm 2\%$ and a transition zone of less than 5 mV . The outputs may be wired as current steering, in which case one of the circuit terminals accepts the current input, or in the form of saturated transistors. Ratings of the output circuits are 15V and 25 mA .

PROCESS	200 Ω /Sq	
POWER SUPPLY.	V_{CC} +15 Volts	
PACKAGE	16 DIP	
DESIGNER	Barrie Gilbert	
INSTRUMENT USAGE	7704A	7514
	A7704	7904
	R7704	7313
	7613	P7001950C
	7633	P7001953Q
	5403	7603
	5441	7603G
	7844	7603H
	5443	7603K
	7903	7J20
	7912	5440
	7504	P7001



ENGR	<i>M.H. Metcher</i>	3-4-76	PROCESS	200 μ / ϕ
DWN BY	J. Langley	2-12-76	PACKAGE	16 PIN DIP
CHK BY	<i>Anda Bayan</i>	3-10-76	DIE SIZE	50mil X 55mil
TYPE	MONOLITHIC		ANALOG TO DECIMAL CONVERTER	MO19D
INTEGRATED CIRCUIT ENG/MFG		TEKTRONIX, INC.		
BEAVERTON, OREGON, U.S.A.		PART NO. 155-0014-01		