

VERTICAL OUTPUT AMPLIFIER

155-0168-00 H126

DESCRIPTION

The H126A is a Integrated Circuit/Transistor Hybrid designed specifically as a Vertical Deflection Plate Driver for the 475A Portable Oscilloscope. The bandwidth required by this instrument is DC to 250 MHz.

Refer to 203-0102-90 M102

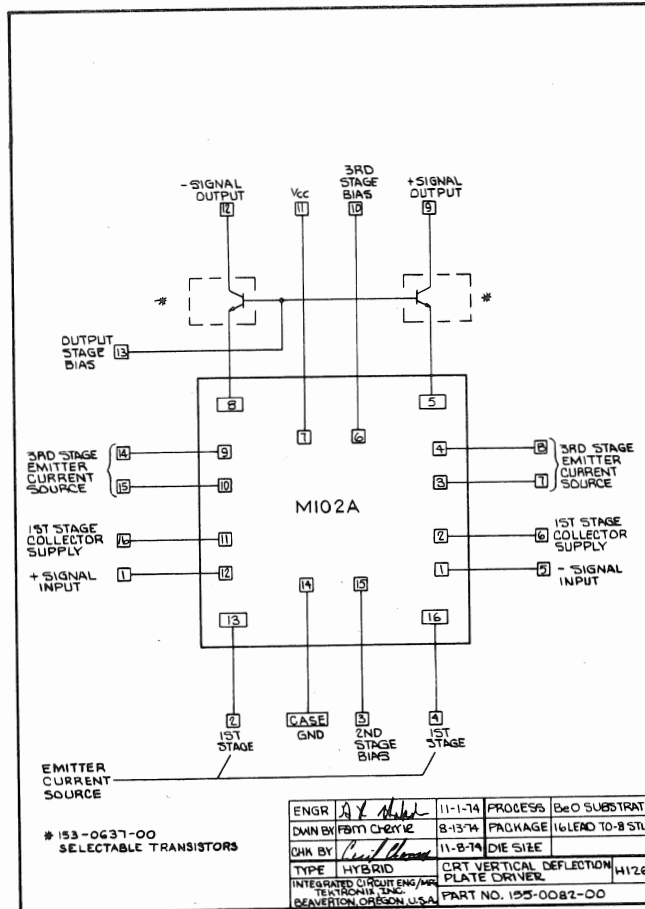
PROCESS . . . . . Thin-Film

POWER SUPPLIES . . . . . +15 Volts, +55 Volts

PACKAGE . . . . . 16 Pin T0-8

DESIGNER . . . . . Einar Traa

INSTRUMENT USAGE . . . . . 475A



**OUTLINE DRAWING NOT  
AVAILABLE AT THIS TIME**