

## TD 51 TIMEBASE

Cct. ref.	Part number	Value	Description	Tol. %	Rating
R103	316-0105-01	1M	C		
R104	316-0105-01	1M	C		
R105	316-0104-01	100k	C		
R106	316-0104-01	100k	C		
R107	316-0101-01	100	C		
R108	316-0104-01	100k	C		
R109	316-0562-01	5.6k	C		
R110	316-0822-01	8.2k	C		
RV111	311-0724-00	500	CV (with RV148 & S103)	20	2
R112	316-0561-01	560	C		
R113	316-0471-01	470	C		
R114	316-0122-01	1.2k	C		
R115	316-0103-01	10k	C		
R116	316-0101-01	100	C		
R117	316-0471-01	470	C		
R118	316-0223-01	22k	C		
R119	316-0104-01	100k	C		
R120	316-0102-01	1k	C		
R121	303-0223-01	22k	C	5	1
R122	316-0472-01	4.7k	C		
R123	315-0104-01	100k	C	5	¼
RV124	311-0756-00	47k	CP	20	¼
R125	316-0221-01	220	C		
R126	303-0153-01	15k	C	5	1
RV127	311-0717-00	220	CP	20	¼
R128	316-0122-01	1.2k	C		
R129	316-0221-01	220	C		
R130	316-0180-01	18	C		
R131	303-0333-01	33k	C	5	1
R132	316-0392-01	3.9k	C		
R133	316-0124-01	120k	C		
R134	316-0393-01	39k	C		
RV135	311-0719-00	470	CP	20	¼
R136	316-0563-01	56k	C		
R137	321-1449-48	470k	MF	1	1/8
R138	321-0850-48	27k	MF	1	1/8
R139	316-0472-01	4.7k	C		
R140	316-0122-01	1.2k	C		
RV141 )	311-0729-00	{ 1k	CV	20	2
RV142 )			CV	20	2
R143	316-0224-01	220k	C		
R144	316-0684-01	680k	C		
R145	316-0122-01	1.2k	C		
672 R146	321-1257-48	4.7k	MF	1	1/8

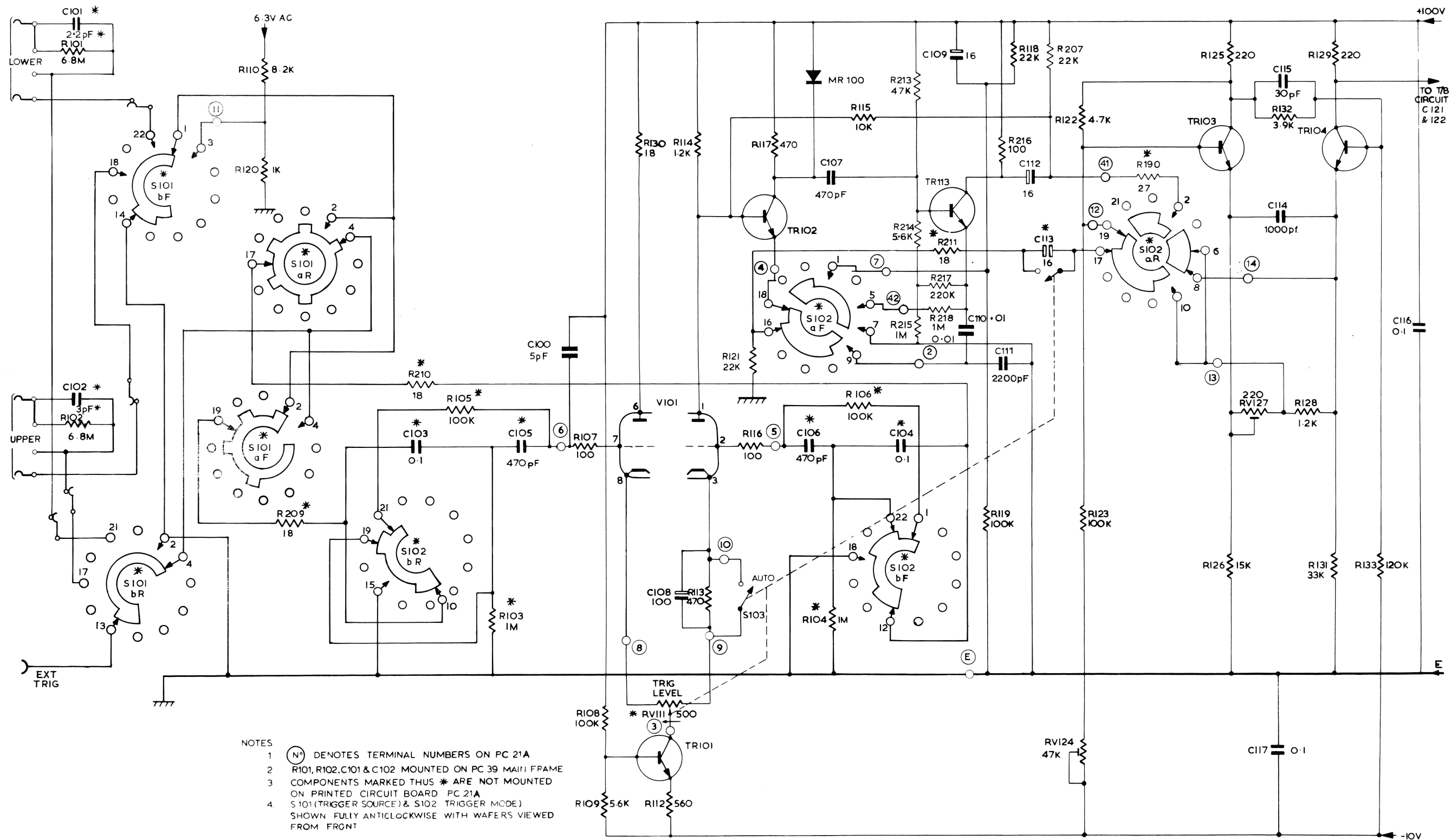
Carbon resistors are 10% ¼W unless otherwise shown

	Cct. ref.	Part number	Value	Description	Tol. %	Rating
672	R147	321-0845-48	2.7k	MF	1	1/8
	RV148	311-0724-00	10k	CV (with RV111 & S103)	20	2
	R149	303-0103-01	10k	C	5	1
	R150	316-0101-01	100	C		
672	R151	321-0193-48	1k	MF	1	1/8
	R152	303-0183-01	18k	C	5	1
	R153	316-0222-01	2.2k	C		
	R154	316-0821-01	820	C		
	R155	316-0101-01	100	C		
	R156	316-0224-01	220k	C		
	R157	316-0155-01	1.5M	C		
	R158	316-0473-01	47k	C		
	R159	316-0103-01	10k	C		
	R160	316-0153-01	15k	C		
672	R161	321-0847-48	3.3k	MF	1	1/8
672	R162	321-0845-48	2.7k	MF	1	1/8
	R163	316-0124-01	120k	C		
	RV164	311-0765-00	100k	CP	20	¼
	R165	303-0683-01	68k	C	5	1
	R166	316-0102-01	1k	C		
	RV167	311-1091-00	6.8k	CP	20	¼
	R168	316-0272-01	2.7k	C		
672	R169	321-0866-48	3.9k	MF	1	1/8
	R170	316-0154-01	150k	C		
	R171	316-0393-01	39k	C		
	RV172	311-0756-00	47k	CP	20	¼
	R173	316-0473-01	47k	C		
672	R174	321-0481-48	1M	MF	1	1/8
	R175	316-0101-01	100	C		
	R176	316-0105-01	1M	C		
	R177	303-0683-01	68k	C	5	1
	R178	316-0394-01	390k	C		
	R179	316-0101-01	100	C		
	R180	316-0395-01	3.9M	C		
	R181	316-0105-01	1M	C		
	R182	316-0472-01	4.7k	C		
	R183	303-0183-01	18k	C	5	1
	R184	316-0180-01	18	C		
	R185	316-0474-01	470k	C		
	R186	316-0180-01	18	C		
	R187	303-0183-01	18k	C	5	1
	R188	316-0101-01	100	C		
	R189	316-0824-01	820k	C		
	R190	316-0270-01	27	C		
	R191	316-0222-01	2.2k	C		
	RV192 )		{ 100k	CV	20	2
	RV193 )	311-0742-00	{ 10k	CV	20	2
	R194	303-0184-01	180k	C	5	1

Cct. ref.	Part number	Value	Description	Tol. %	Rating	
	R195	316-0681-01	680	C		
	RV196	311-0786-00	1.5k	CP	20	¼
	R197	316-0101-01	100	C		
	R198	307-0161-00	12k	MO	5	¾
	R199	305-0103-01	10k	C	5	2
	R200	316-0101-01	100	C		
	R201	303-0183-01	18k	C	5	1
	R202	316-0271-01	270	C		
	R203	307-0161-00	12k	MO	5	¾
	R204	316-0101-01	100	C		
	R205	316-0102-01	1k	C		
	R206	305-0103-01	10k	C	5	2
	R207	316-0223-01	22k	C		
	R208	316-0122-01	1.2k	C		
	R209	316-0180-01	18	C		
	R210	316-0180-01	18	C		
	R211	316-0180-01	18	C		
672	R212	321-0869-48	5.6k	MF	1	1/8
	R213	316-0473-01	47k	C		
	R214	316-0562-01	5.6k	C		
	R215	316-0105-01	1M	C		
	R216	316-0101-01	100	C		
	R217	316-0224-01	220k	C		
	R218	316-0105-01	1M	C		
	RV219	311-0802-00	4.7k	CP	20	¼
	R220	316-0393-01	39k	C		
	R221	316-0224-01	220k	C		
	R222	316-0106-03	10M	C		
	R223	316-0103-01	10k	C		
	R224	316-0473-01	47k	C		
	R281	316-0105-01	1M	C		
672	R282	321-0452-48	499k	MF	1	1/8
672	R283	321-0452-48	499k	MF	1	1/8
672	R284	322-0498-40	1.5M	MF	1	¼
672	R285	323-0519-40	2.49M	MF	1	½
672	R286	323-0548-40	4.99M	MF	1	½
672	R287	324-0594-40	15M	MF	1	1
	R288	315-0514-01	510k	C	5	¼
	R289	316-0153-01	15k	C		
	R291	315-0303-01	30k	C	5	¼
	R292	316-0683-01	68k	C		
	R293	316-0394-01	390k	C		
	RV294	260-0964-00	1M	CV (with S276)	20	¼
	C100	281-0712-00	5p	CER	¼p	750
	C103	285-0772-00	0.1	PE	10	400
	C104	285-0772-00	0.1	PE	10	400
	C105	281-0685-00	470p	PS	10	500
	C106	281-0685-00	470p	PS	10	500

Cct. ref.	Part number	Value	Description	Tol. %	Rating
C107	285-0874-00	470p	PS	5	125
C108	290-0354-00	100	E		12
C109	290-0353-00	16	E		32
C110	285-0800-00	0.01	PE	20	250
C111	285-0783-00	2,200p	PE	20	400
C112	290-0353-00	16	E		32
C113	290-0356-00	16	E		25
C114	285-0858-00	1,000p	PS	1	350
C115	285-0843-00	30p	PS	2p	350
C116	285-0796-00	0.1	PE	20	250
C117	285-0796-00	0.1	PE	20	250
C118	290-0360-00	2	E		150
C119	285-0828-00	0.022	PE	5	250
C120	285-0888-00	0.22	PE	5	250
C121	285-0874-00	470p	PS	5	125
C122	285-0854-00	100p	PS	2p	350
C123	285-0844-00	39p	PS	2p	350
C124	285-0796-00	0.1	PE	20	250
C125	285-0769-00	0.01	PE	20	400
C126	285-0869-00	47p	PS	2p	350
C127	285-0854-00	100p	PS	2p	350
C128	281-0712-00	5p	CER	¼p	750
C129	285-0796-00	0.1	PE	20	250
C130	285-0773-00	0.1	PE	20	400
C131	285-0869-00	47p	PS	2p	350
C132	281-0130-00	4-20p	CT		250
C133	290-0360-00	2	E		150
C134	290-0374-00	50	E		150
C135	285-0800-00	0.01	PE	20	250
C136	285-0858-00	1,000p	PS	1	350
C137	285-0873-00	200p	PS	5	350
C138	285-0866-00	10p	PS	1p	350
C139	285-0798-00	0.022	PE	20	250
C276	285-0842-00	15p	PS	1p	350
C277	281-0137-00	6-30p	CT		350
C278	285-0794-00	4	PE	2	250
C279	285-0846-00	380p	PS	1	125
C281	285-0789-00	0.4	PE	2	125
C282	285-0848-00	0.04	PS	1	125
C283	285-0852-00	4,000p	PS	1	125
C284	285-0867-00	20p	PS	1p	350
MR100	152-0062-01	}	1N914	Si	
MR101	152-0062-01				
MR102	152-0062-01				
MR103	152-0062-01				
MR104	152-0062-01				
MR105	152-0062-01				
MR106	152-0062-01				

Cct. ref.	Part number	Value	Description
MR107	152-0062-01		1N914 Si
MR108	152-0343-00		1N914T Si
MR109	152-0062-01		1N914 Si
MR111	152-0062-01		
MR112	152-0062-01		
N101	150-0069-00	60V	Neon 3L
S101	260-0962-01		Rotary (8-position)
S102	260-1073-01		Rotary (6-position)
S103	311-0724-00		Rotary (with RV111 & 148)
S104	260-0942-00		Push (4-button)
S105	260-0949-00		Push (1-button)
S276	260-0964-00		Rotary (23-position with RV294)
TR101	151-0326-00		BC107 Mullard Si
TR102	151-0326-00		
TR103	151-0127-02		BSX20/2N2369 Mullard Si
TR104	151-0127-02		
TR105	151-0326-00		BC107 Mullard Si
TR106	151-0326-00		
TR107	151-0127-02		BSX20/2N2369 Mullard Si
TR108	151-0127-02		
TR109	151-0244-00		2N3702 Texas Si
TR111	151-0127-02		BSX20/2N2369 Mullard Si
TR112	151-0127-02		
TR113	151-0127-02		
V101	154-0187-01		
V102	154-0187-01		
V103	154-0535-00	EF184/6EJ7	
V104	154-0187-01	ECC88/6DJ8	
V105	154-0535-00	EF184/6EJ7	
V106	154-0535-00		

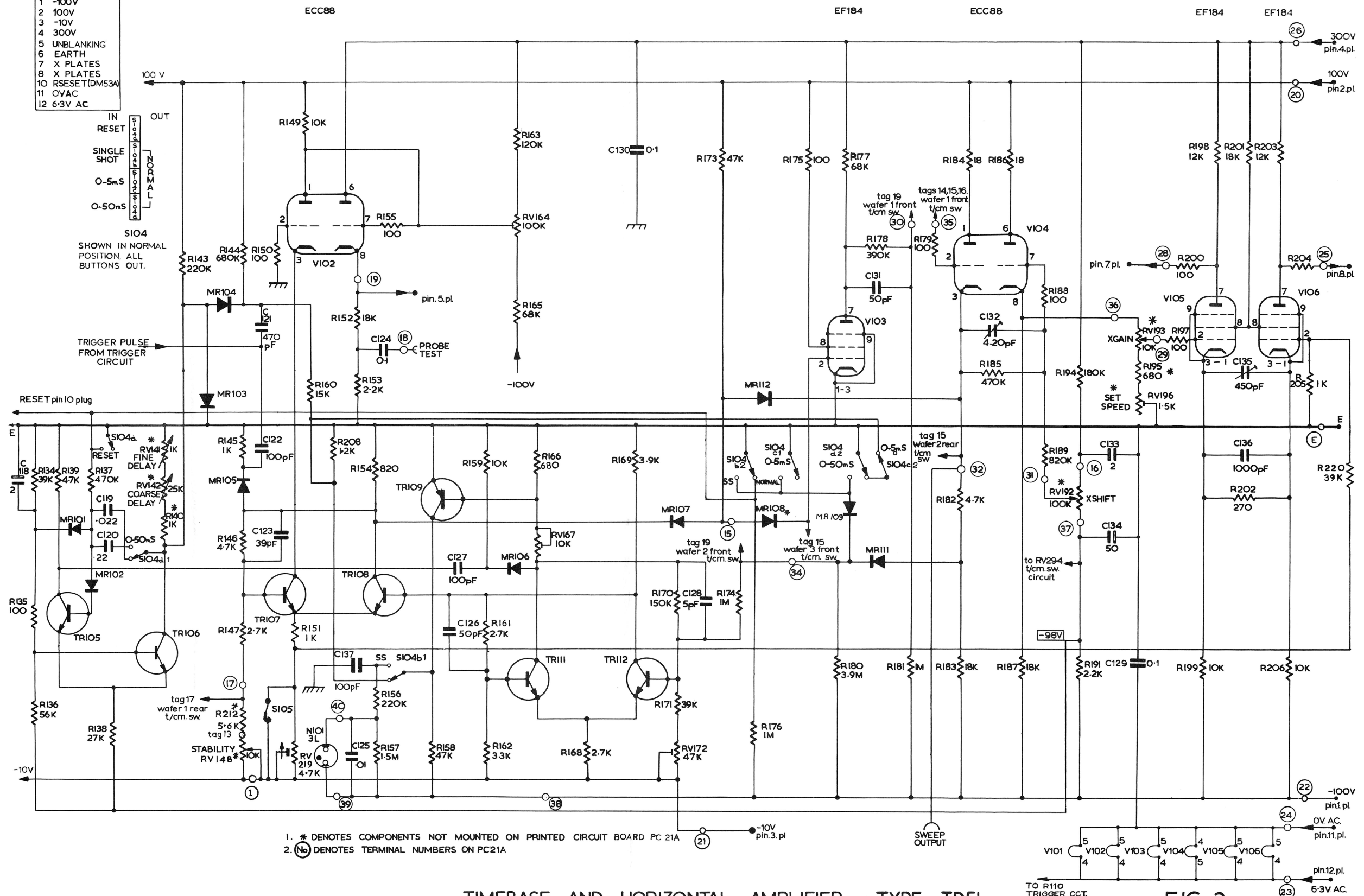


ECC88

TRIGGER CIRCUIT TYPE TD51

FIG1

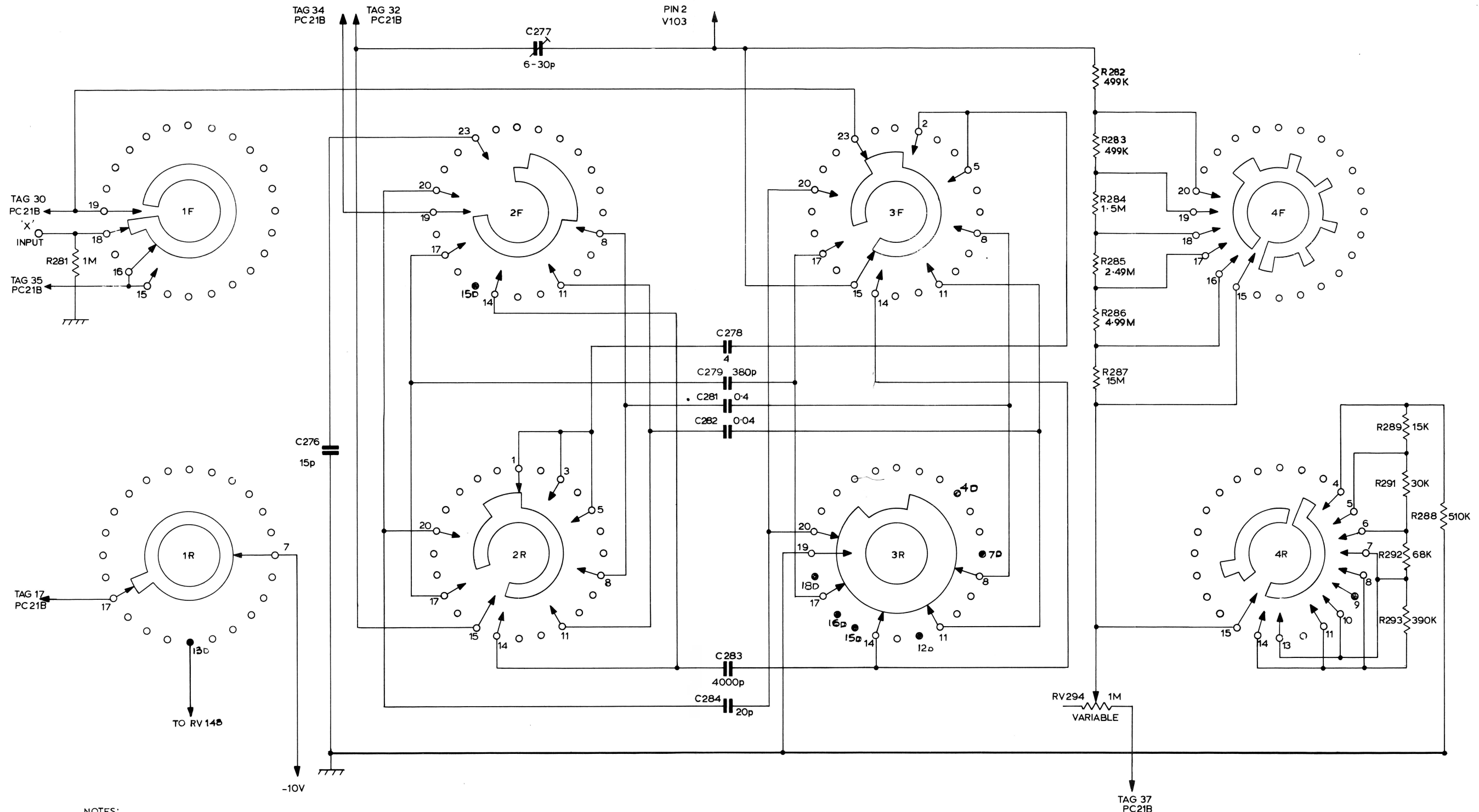
CONNECTIONS TO POWER PLUG (pl)	
1	-100V
2	100V
3	-10V
4	300V
5	UNBLANKING
6	EARTH
7	X PLATES
8	X PLATES
10	RRESET (DM53A)
11	OYAC
12	6.3V AC



TIMEBASE AND HORIZONTAL AMPLIFIER TYPE TDS1

TO R110 TRIGGER CCT.

FIG 2



NOTES:  
 1. SWITCH SHOWN FULLY ANTICLOCKWISE.  
 2. WAFERS VIEWED FROM FRONT.

TIME / CM SWITCH

TYPE TD51

FIG 3